

Frame

Design: Carlo Colombo



Description

Valet stand with base in maple, available in two finishes: dove grey (2B) and slate grey (2C), with an insert in Velvet Brown, Zebrino, Grigio Astratto, Gold Calacatta, Purple Calacatta or Portoro marble. Lateral frame in saddle leather. There are three versions available: with a hanger bar (including four hooks), with a hanger bar and an extra shelf, and with a mirror. To complete the product the following accessories are available: metal hanging hooks, hangers in beech wood and metal and a round mirror with adjustable height and a tray in maple and metal painted in bronze color. Made in Italy.

* For more specifications, please refer to the "Finishes & Materials" PDF

Frame

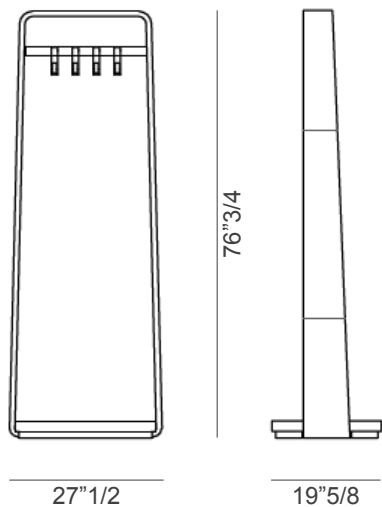
Dimensions

A: 27"1/2W x 19"5/8D x 76"3/4H

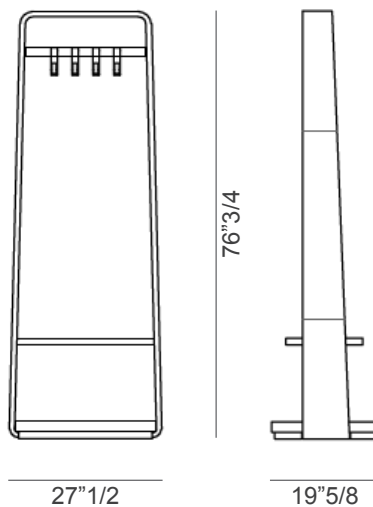
B: 27"1/2W x 19"5/8D x 76"3/4H

C: 39"3/8W x 19"5/8D x 76"3/4H

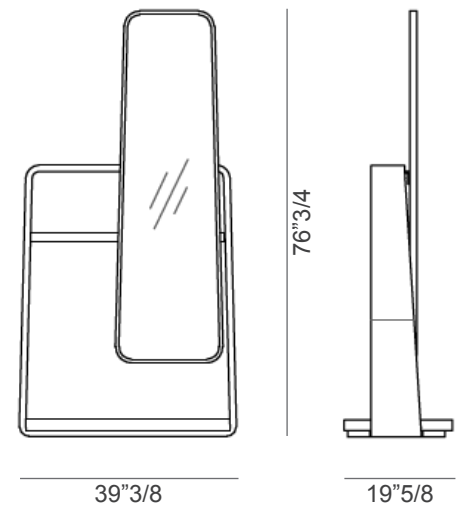
A - 4 HOOKS



B - 4 HOOKS & SHELF

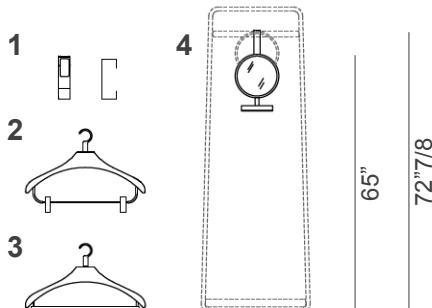


C - MIRROR



Accessories

- 1: Metal hook.
- 2: Skirt hanger.
- 3: Pants hanger.
- 4: Mirror with tray.



Finishes & Materials

Base & Mirror Frame: Painted maple wood veneer in dove grey (2B) and slate grey (2C) finish. **Base insert:** Velvet Brown, Zebrino, Grigio Astratto, Gold Calacatta, Purple Calacatta or Portoro marble.

Lateral frame: Saddle leather.

Metal accessories: Bronze color.

* For more specifications, please refer to the "Finishes & Materials" PDF