

Oasi

Design: Technical Emotions



Description

Canopy round daybed made with steel powder coated, top in Batyline and decorative ropes in round Trendyrope. Award-winning 2021.

A real nest enclosed in a game of ropes with skilfully mixed tones. The wide and circular seat makes it perfect for relaxing moments, while the Batyline upper top offers a delicate shade from the most intense sun rays. Made in Italy.

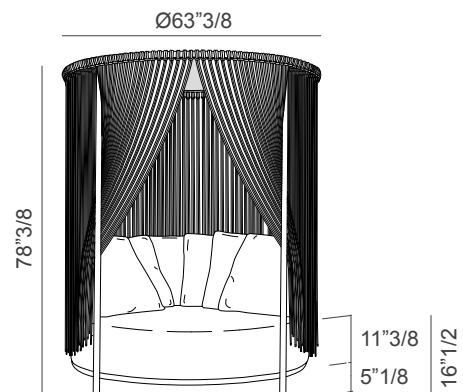
Dimensions

Ø63"3/8W x 78"3/8H

Seat height: 16"1/2

Seat cushion: Ø57"

Back cushions (qty. 6): 25"5/8 x 25"5/8 (each)



Finishes & Materials

Structure: Steel powder coated.

Top: Batyline.

Decorative ropes: Round Trendyrope.

Cushions: Fabric.