

Bruno

Design: Mauro Lipparini



Description

Lounge chair upholstered in removable fabric or leather, with two options for the base:

- . Covered base made in plywood with support in painted metal; lining in bonded velveteen - polyurethane foam.
- . Base in shaped profile in mat painted metal.

The structure comes in wood and wood chipboard with elastic straps. The seat is padded in shaped variable density polyurethane foam, viscoelastic layer on the seat; lining in bonded velveteen - polyester fiber.

Also available in the Bruno Ego version, with quilted backrest. Made in Italy.

Note: The Ego version is only available with cover in fabric.

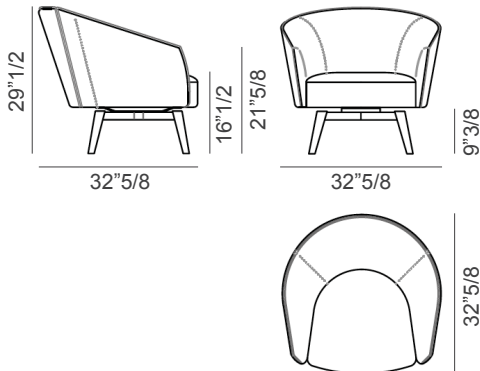
Bruno

Dimensions

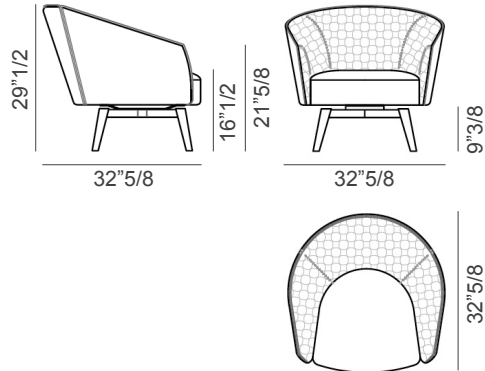
Bruno / Bruno Ego:
32"5/8W x 32"5/8D x 29"1/2H

Seat height: 16"1/2
Armrest height: 21"5/8
Feet height: 9"3/8

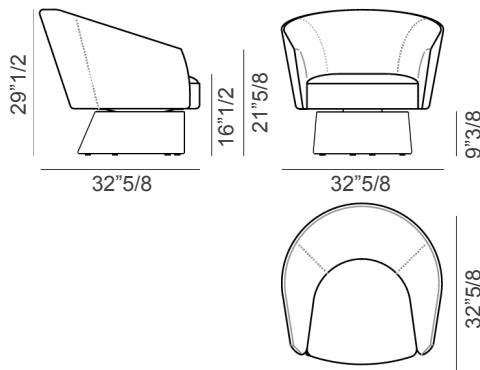
Bruno with metal base and smooth backrest



Bruno Ego with metal base and quilted backrest



Bruno with covered base and smooth backrest



Bruno Ego with covered base and quilted backrest

