

Colibrì

Design: Fabrice Berrux



Description

Lounge chair with an oversize seat and backrest that are supported by an apparently slender base to create an interesting game of balances. The five-spoke base with central swivel pin, comes in matt painted metal and lends the overall image lightness and motion, recalling the idea of "comfort without gravity".

The seat is padding in cold-foamed polyurethane; quilting made in polyurethane foam and the headrest cushion is core in polyurethane foam and layer in white down in 100% cotton featherproof fabric. The non removable upholstery comes in a wide range of fabrics and leathers. Available in single cover or bi-cover version (front in fabric and rear in leather). Also, upon request the matching footrest is offered as an optional. Made in Italy.

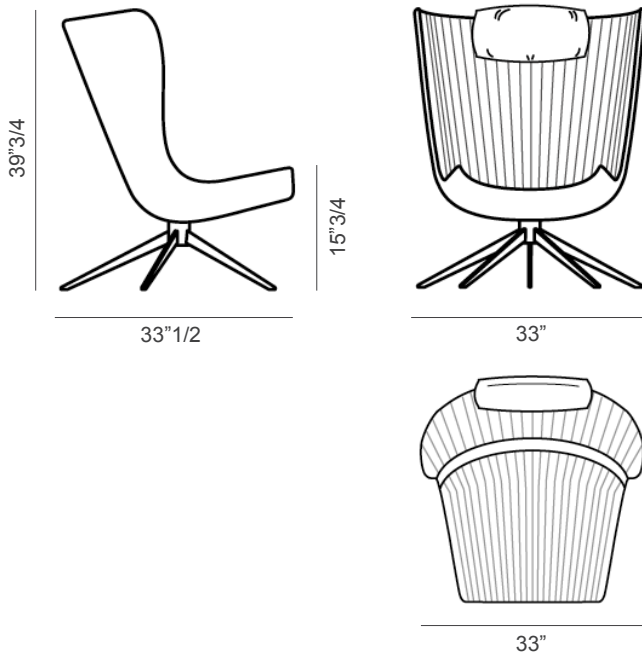
Colibrì

Dimensions

Lounge chair: 33"W x 33"1/2D x 39"3/4H
Seat height: 15"3/4

Footrest: 22"W x 18"1/8D x 18"7/8H

Lounge Chair



Footrest

