

Ever More

Design: Sergio Bicego



The image corresponds to Composition B

Description

Sectional with structure made in wood and wood chipboard with elastic straps, supports in plastic material. The connection between the elements is by means of a fork mechanism. The removable upholstery is available in fabric or leather and the feet in flat shaped matt painted metal, with tips in plastic material.

Seat and backrest are padded in variable density polyurethane foam; lining in bonded velveteen - polyester fiber. Seat cushions core in shaped polyurethane foam and layer in flaked polyester fiber in 100% cotton featherproof fabric. The back cushions are padded in mixed down (50% down, 50% polyester fiber) in 100% cotton featherproof fabric. Also, to optimize the individual needs of comfort, a wide range of decorative cushions are available upon request.

Made in Italy.

Ever More

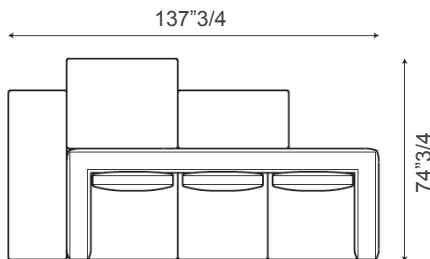
Compositions

Note: The poufs are combined with the composition, without joints.

Composition A

- 1 x F13Ø Sofa
- 1 x OA26 Ottoman
- 1 x OA27 Ottoman
- 1 x OA28 Ottoman

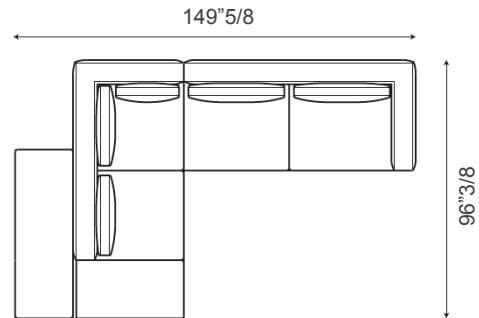
137³/₄W x 74³/₄D x 33¹/₂H



Composition B

- 1 x EØ24 Meridiana dx
- 1 x F141 End section sofa dx
- 1 x OA26 Ottoman

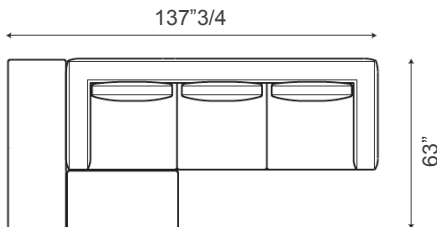
149⁵/₈W x 96³/₈D x 33¹/₂H



Composition C

- 1 x F13Ø Sofa
- 1 x OA26 Ottoman
- 1 x OA27 Ottoman

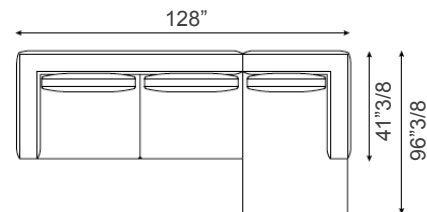
137³/₄W x 63"D x 33¹/₂H



Composition D

- 1 x F133 Corner sofa dx
- 1 x F141 End section sofa dx
- 1 x OA28 Ottoman

128"W x 96³/₈D x 33¹/₂H



Ever More

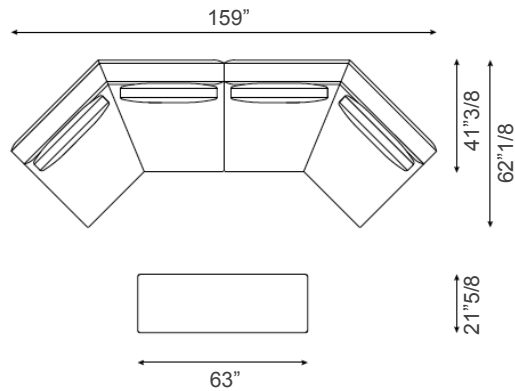
Compositions

Note: The poufs are combined with the composition, without joints.

Composition E

2 x F155 Semi-corner
1 x OA26 Ottoman

159"W x 62"1/8D x 33"1/2H



Composition F

1 x OA26 Ottoman
1 x OA27 Ottoman
1 x F155 Semi-corner
1 x F143 End section sofa dx

184"1/4W x 87"3/4D x 33"1/2H

