

Gauss

Design: Mauro Lipparini



Description

Desk that features a curved, fluid top with no sharp edges, much like the legs, which take on the appearance of metal rings with rounded corners.

The distinguishing feature is the raised section, which creates a second level for the desk. In addition to the main desk top in wood, a metal drawer and a practical “floating” shelf made from ceramic, which is attached to the main desk via two metal bars, are offered as optionals.

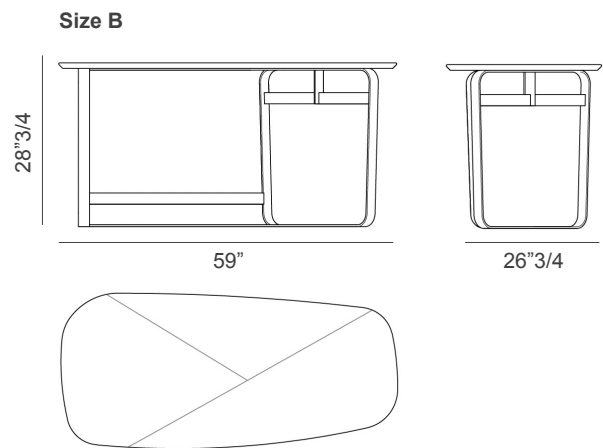
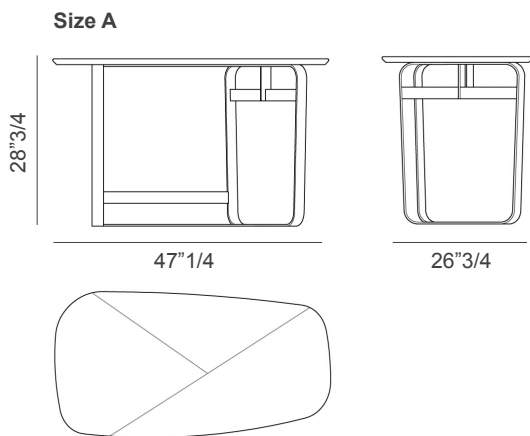
The other unique detail of this desk is the shape of the legs, which stand in a dynamic, asymmetrical position, creating an irregular structure. Made in Italy.

Gauss

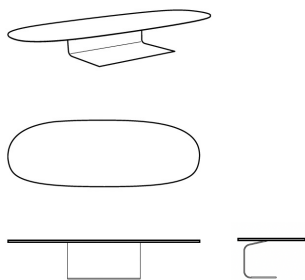
Dimensions

A) 47"1/4W x 26"3/4D x 28"3/4H
Optional shelf: 25"5/8W x 9"D x 5"1/8H
optional drawer: Ø9" x 2"3/8H

B) 59"W x 26"3/4D x 28"3/4H
Optional shelf: 27"1/2W x 9"7/8D x 5"1/8H
optional drawer: Ø13"3/8 x 2"3/8H



Optional shelf



Optional drawer

