

Kriss

Design: Maurizio e Silvia Varsi



Description

Double bed with structure in solid wood. The headboard is made in wood and wood chipboard and is padded in shaped polyurethane foam, on the front part, layer in mixed down (50% down, 50% polyester fiber) in 100% cotton featherproof fabric, on the back part, lining in bonded velveteen - polyester fiber.

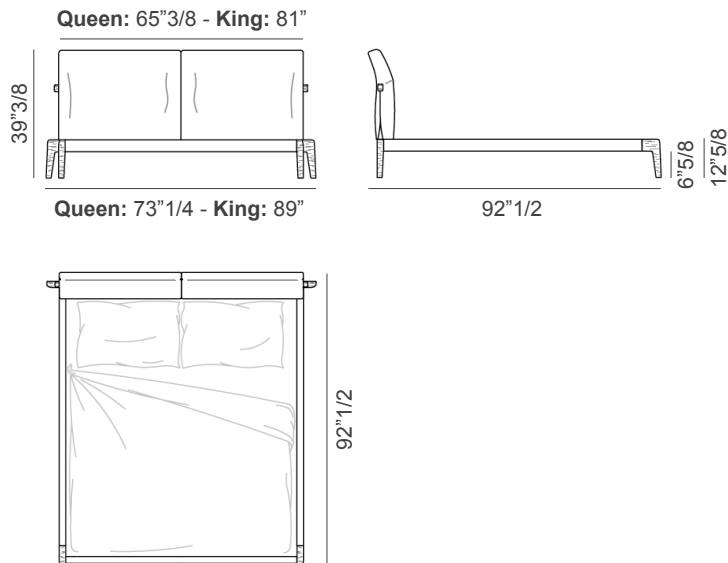
Supports and corner plates in painted metal. The bed base is made in solid wood with visible shaped feet. Cover in fabric or leather. Also, upon request, the bed can be completed with the Kriss bench. Made in Italy.

Kriss

Dimensions

Queen size: 73"1/4W x 92"1/2D x 39"3/8H
(To fit American QUEEN size Mattress 60"x 80")

King size: 89"W x 92"1/2D x 39"3/8H
(To fit American KING size Mattress 76"3/4 x 80")



Optional Kriss Bench
56"1/4W x 17"3/8D x 16"1/8H

