

## Saddle

*Design: Giuseppe Viganò*



### Description

Lounge chair with structure in wood and wood chipboard with elastic straps. Seat padding in variable density polyurethane foam and polyester fiber; lining in bonded velveteen - polyester fibre.

Seat cushion padded in shaped variable density polyurethane foam; lining in bonded velveteen - polyester fiber. The feet come in shaped sheet in metal or cone profile in matt painted metal, with tips in plastic material.

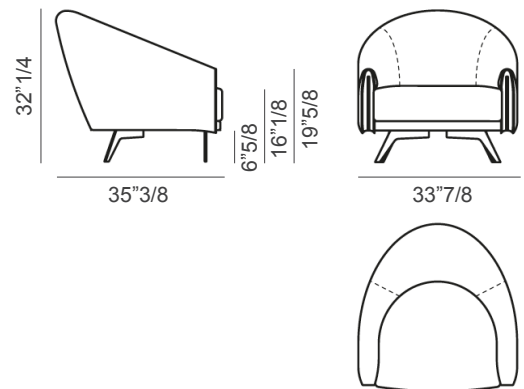
Seat and backrest cover in fabric or leather; armrest perimeter insert in fabric or leather; central armrest insert in leather. The cover is removable. This furniture piece stands out for the particular contrast between the upholstery and the insert in leather within the armrests. Made in Italy.

### Dimensions

33"7/8W x 35"3/8D x 32"1/4H

**Seat height:** 16"1/8

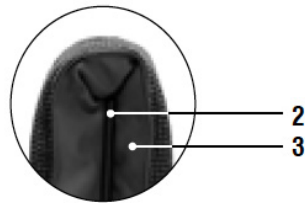
**Armrest height:** 19"5/8



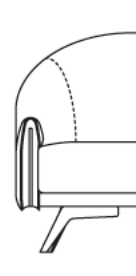
## Saddle

---

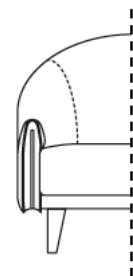
### Specifications



Feet available in two versions



Shaped feet



Conical feet

**Cover (1):** Fabric / Leather.

**Central armrest insert (2):** Leather.

**External armrest insert (3):** Fabric (same as the cover) / Leather.

**Feet (4):** Metal.