

# Salomé

Design: Mauro Lipparini



## Description

Valet stand with mirror and a design composed of delicate geometric shapes. The metal structure and tray are offered in different finishes and a version with a glass lampshade is available upon request.

A valet stand that lies in the charm of the harmony between the forms and the intensity of its presence, a strongly scenographic design. Made in Italy.

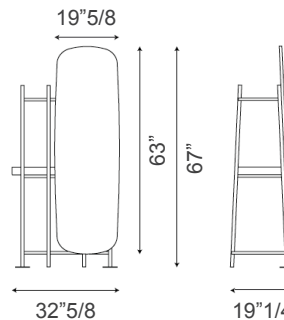
## Dimensions

32"5/8W x 19"1/4D x 67"H

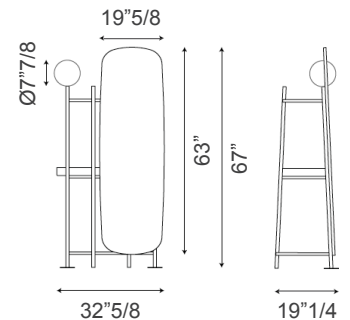
Mirror: 19"5/8W x 63"H

Optional lampshade: Ø7"7/8

Salomé valet stand



Salomé valet stand with lampshade



1. **Structure:** Plus metal.
2. **Tray:** Same as structure.
3. **Lampshade:** Glass.

