

Vertigo

Design: Dondoli e Pucci



Description

A sideboard distinguished by the soft wave that characterizes the front doors, creating a flow of movement on the surface that softens the rigorous design of the unit.

The metal base consists of four seemingly slender feet that give the entire unit a sense of lightness. Also the model with plinth base is available. The Vertigo sideboard is offered in three different color combinations:

Combination 1

Outside frame: White matt lacquered wood / **Doors:** White painted structural polyurethane / **Base:** White metal.

Combination 2

Outside frame: Bronze matt lacquered wood / **Doors:** Bronze painted structural polyurethane / **Base:** Bronze plus metal.

Combination 3

Outside frame: Lead matt lacquered wood / **Doors:** Lead painted structural polyurethane / **Base:** Lead plus metal.

Made in Italy.

Vertigo

Dimensions

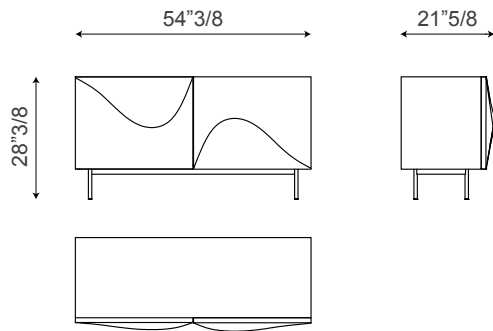
Standard base A: 54"3/8W x 21"5/8D x 28"3/8H

Plinth base A: 54"3/8W x 21"5/8D x 23"5/8H

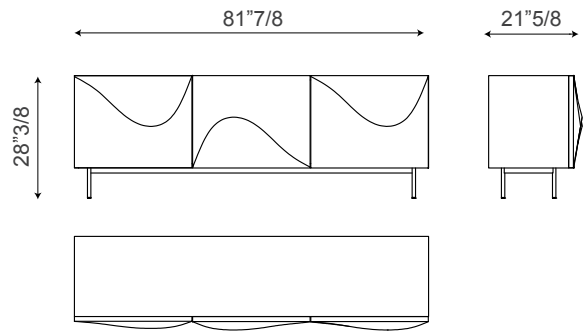
Standard base B: 81"7/8W x 21"5/8D x 28"3/8H

Plinth base B: 81"7/8W x 21"5/8D x 23"5/8H

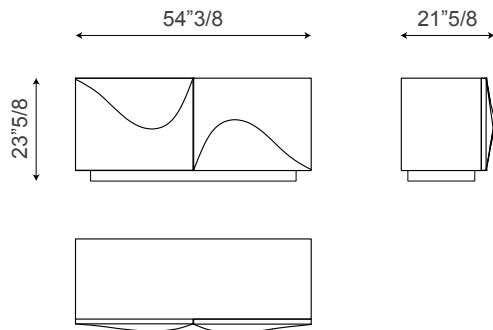
STANDARD BASE A



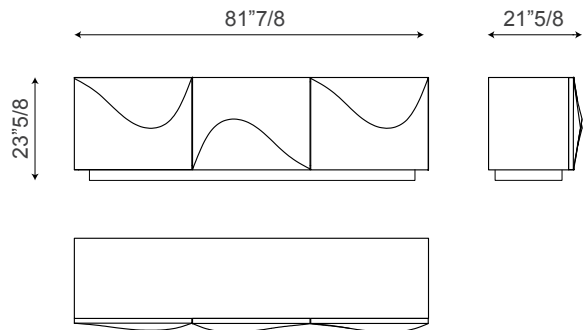
STANDARD BASE B



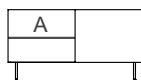
PLINTH BASE A



PLINTH BASE B

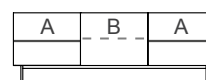


Position of the shelves



- . 1 shelf (A)
- . Melamine wood: dark grey
- . Max. capacity: 10 kg per shelf

Position of the shelves



- . 2 lateral shelves (A)
- . Melamine wood: dark grey
- . Max. capacity: 10 kg per shelf

Additional shelf: 1 central shelf (B)
Glass: transparent