

Bloom

Design: Kris Van Puyvelde



Description

Umbrella with aluminum ribs and stainless steel pole. The round or square canopy is available in various sizes and in an array of colors. Lever operated spindle system. When the spindle is activated, the upper part of the hub is pulled down to join the lower one, while all the small supporting ribs join nicely into one solid looking, organic piece. As such, the Bloom looks like a strutless umbrella, although in fact it is not. Seen from below it looks like a flower in bloom. Hence the name. Different bases are available on demand. Includes cover bag.

Finishes & Materials

Ribs: Coated aluminum in White, Sand or Anthracite color.

Pole: Stainless steel in White, Sand or Anthracite color.

Cover: Fabric.

* For more specifications, please refer to the "Finishes & Materials" PDF

Bloom

Dimensions

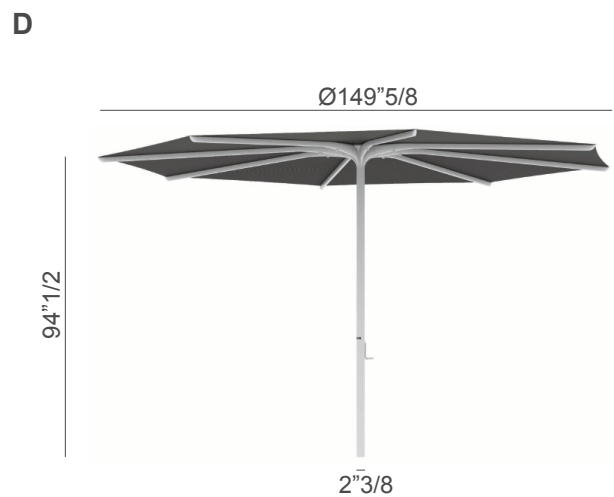
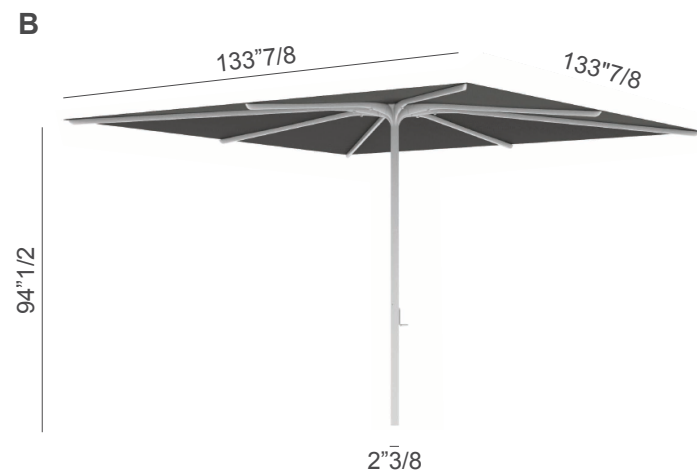
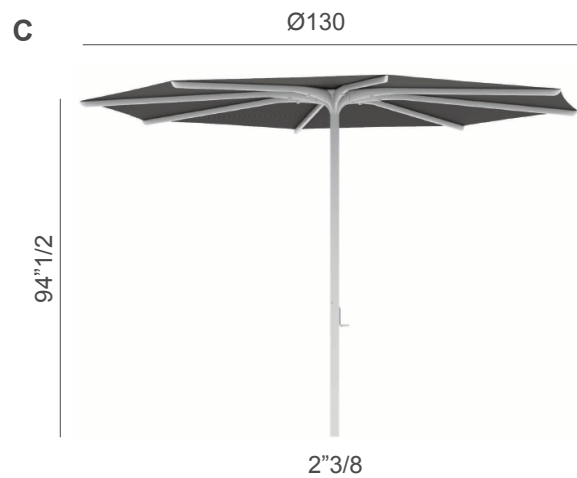
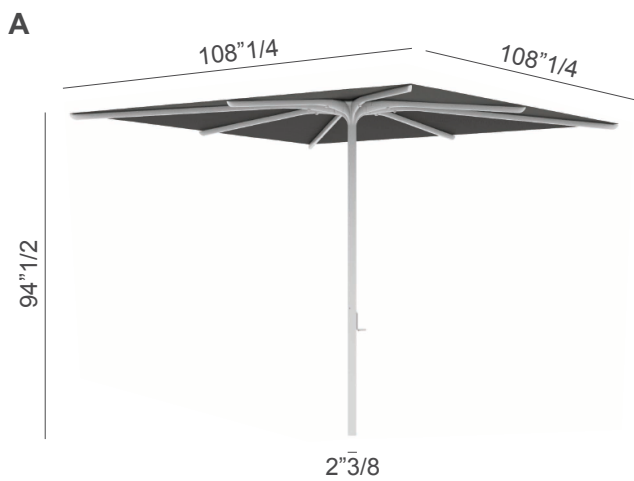
Ø130"

A: 108"1/4W x 108"1/4D x 94"1/2H

B: 133"7/8W x 133"7/8D x 94"1/2H

C: Ø130" x 94"1/2H

D: Ø149"5/8 x 94"1/2H



* For more specifications, please refer to the "Finishes & Materials" PDF

Bloom

Base

1: Ø29"1/2 x 1"H

2: 27"1/2W x 27"1/2D x 1"H

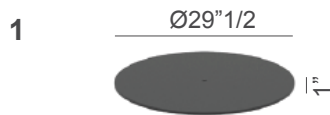
3: 38"1/8W x 38"1/8D x 1"H

4: 27"1/2W x 27"1/2D x 3/8"H

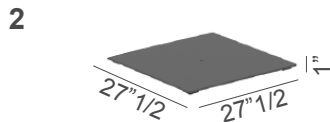
5: 27"1/2W x 27"1/2D x 2"H

6: Ø27"1/2 x 2"H

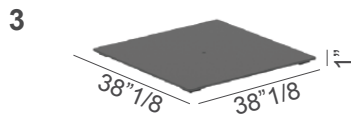
7: 27"1/2W x 27"1/2D x 3"1/8H



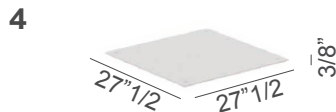
COATED METALIZED STEEL BASE
(White, Sand or Anthracite color)



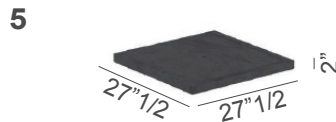
COATED METALIZED STEEL BASE
(White, Sand or Anthracite color)



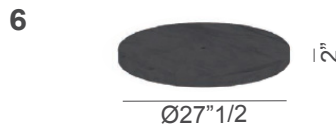
COATED METALIZED STEEL BASE
(White, Sand or Anthracite color)



STAINLESS STEEL BASE
(Brushed or electropolished)



GRANITE BASE



GRANITE BASE



MOBY BASE



- Brushed stainless steel body
- Nylon wheels and detachable handle for moving around on the terrace
- To be filled with gravel for added weight
- Polished stainless steel tube included

* For more specifications, please refer to the "Finishes & Materials" PDF