

Arkos

Design: Gianluigi Landoni



Description

Dining table with aluminum base in different finishes.
The round top is available in a wide range of materials and finishes.

This table is made with cutting-edge techniques such as the aluminum die-casting for the base and stands out for the strong structural bareness of the X or Y legs with its thin and slender shape.

Made in Italy.

Finishes & Materials

Top: Glass, Ceramic and Wood.

Base & Legs: Aluminum.



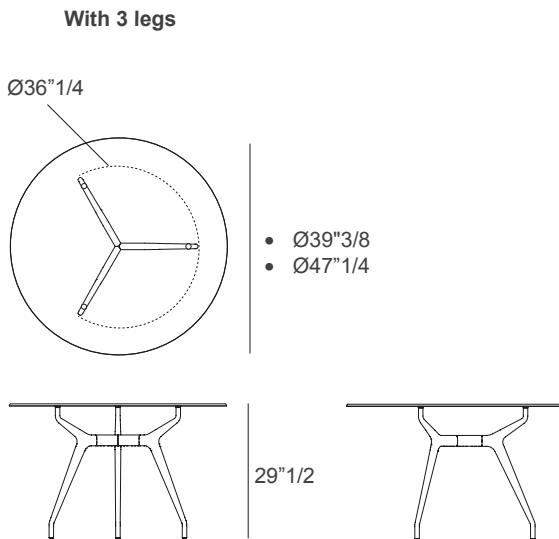
Optional brass lacquered feet on embossed black legs.

Arkos

Dimensions

With 3 legs A: $\text{Ø}39\frac{3}{8}$ x $29\frac{1}{2}$ H

With 3 legs B: $\text{Ø}47\frac{1}{4}$ x $29\frac{1}{2}$ H



With 4 legs A: $\text{Ø}51\frac{1}{8}$ x $29\frac{1}{2}$ H

With 4 legs B: $\text{Ø}55\frac{1}{8}$ x $29\frac{1}{2}$ H

With 4 legs C: $\text{Ø}59$ x $29\frac{1}{2}$ H

