

Cadira

Design by Studio Sovet



Description

Chair with different versions of metal bases, various finishes. Available with or without armrests. Made in Italy.

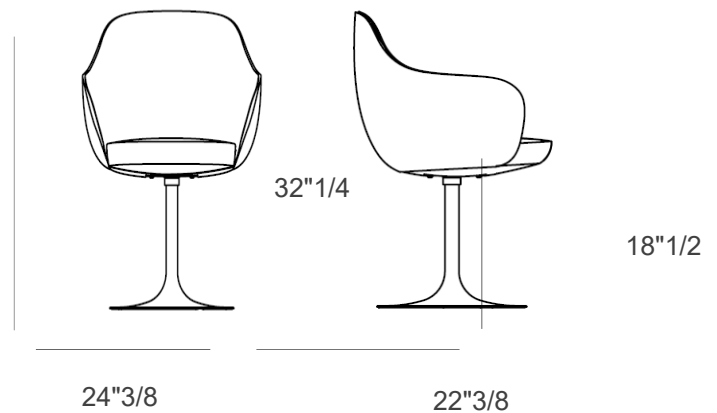
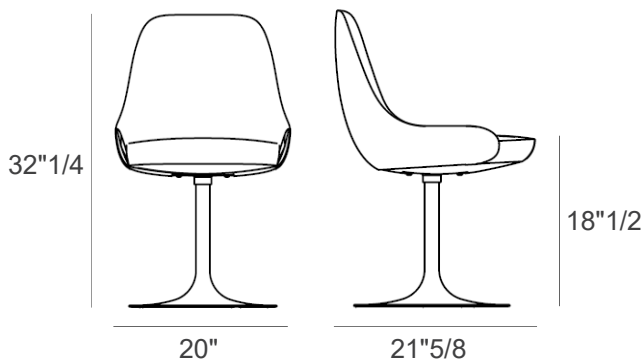
Dimensions

A) 20"W x 22"3/8D x 31"7/8H - Cod. P8275

B) 24"3/8W x 22"3/8D x 31"7/8H - Cod. P8274

Seat height: 18"1/8

A) Without armrests



Finishes and materials

Upholstery: Leather, Eco-Leather, Fabric and Velvet.

Base: Metal.

B) With armrest