

Opéra

Design: Philippe Nigro



Barovier&Toso
1873



Barovier&Toso
1873

Description

Inspired by the Opéra Garnier, this table lamp stands out for its eclectic, decorative character, expressed in stylistic mixtures and remarkable compositional balance. The references to a certain Baroque splendor are tempered by more minimal, contemporary touches, generating a delicate, harmonious dichotomy. The design challenge was to bring out the artistry and heritage of Barovier & Toso, a repository of the art of glass for over seven centuries. The outcome of this creative effort is a timeless, elegant design, rich but not redundant, with a direct, incisive personality. Made with Venetian Crystal and metal parts available in different finishes.

UL listed lighting.

Made in Italy.

Finishes & Materials

Venetian Crystal: Crystal (CC) color.

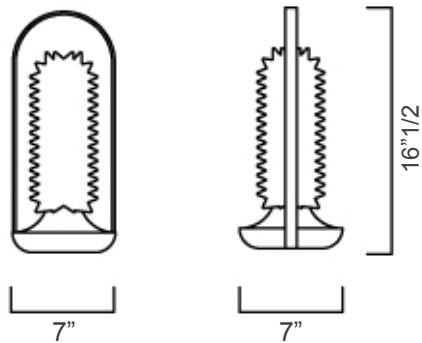
Metal parts: Brushed metal.

* For more specifications, please refer to the "Finishes & Materials" PDF

Opéra

Dimensions

7"W x 7"D x 16"1/2H



Light source: 1 x 10W Strip LED, Dimmable.

* For more specifications, please refer to the "Finishes & Materials" PDF