

Metropolis

Design: Giuseppe Maurizio Scutellà



Description

Coffee table with base in extra-clear or smoked glass or ceramic finish, composed of a series of vertical slabs welded together, with different lengths, heights and angles. Rectangular, shaped or round top in glass or ceramic, base available in extra-clear or smoked glass. Made in Italy.

Finishes & Materials

Base: 1/2" thick extra clear or smoked glass.
Top: 1/2" thick extra clear or smoked glass, or ceramic finish: Pietra di Savoia anthracite bocciardato (bush hammered), matt or polished Noir Desir, matt or polished Emperador, polished Calacatta Oro Venato, matt or polished Pietra Grey, polished or bocciardato (bush hammered) Sahara Noir.



Metropolis

Dimensions

GLASS TOP

A: 51"1/8W x 27"1/2D x 13"3/4H

B: 59"W x 31"1/2D x 13"3/4H

C: Ø35"3/8 x 13"3/4H

CERAMIC TOP

A: 51"1/8W x 27"1/2D x 13"3/4H

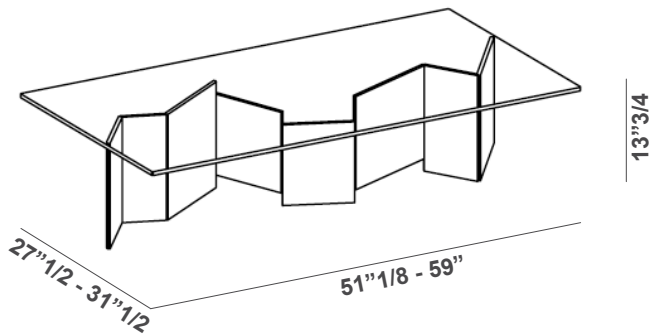
D: 47"1/4W x 23"5/8D x 13"3/4H

E: 63"W x 31"1/2D x 13"3/4H

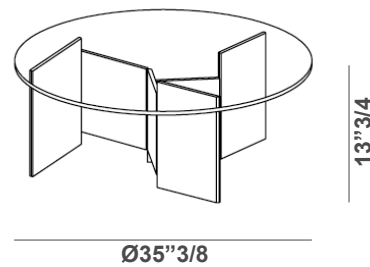
F: Ø37"3/8 x 13"3/4H

GLASS

A, B

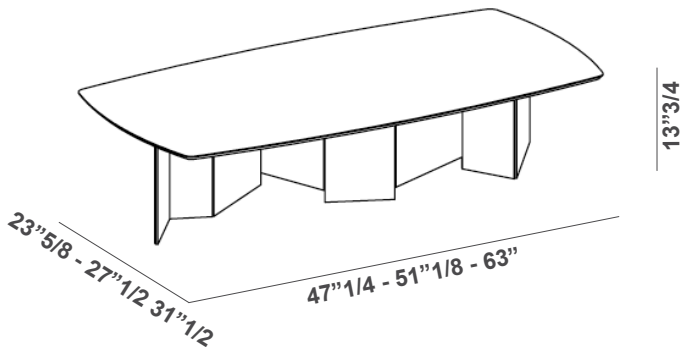


C

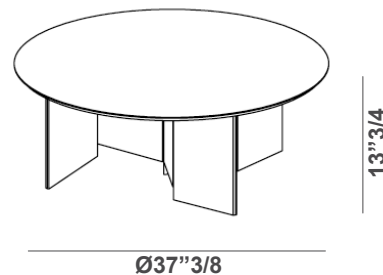


CERAMIC

A, D, E



F



* For more specifications, please refer to the "Finishes & Materials" PDF