

Paradigma

Design: Debonademeo Studio



Description

Freestanding bookcase with structure composed of a central grid in extra clear or smoked glass joint to an arch shaped metal structure in brushed bronze or brushed black finish. The bookcase is always supplied in two separate parts. Made in Italy.

Finishes & Materials

Shelves: 1/2" extra clear glass or smoked glass.

Outer structure: Metal in brushed bronze or brushed black finish.



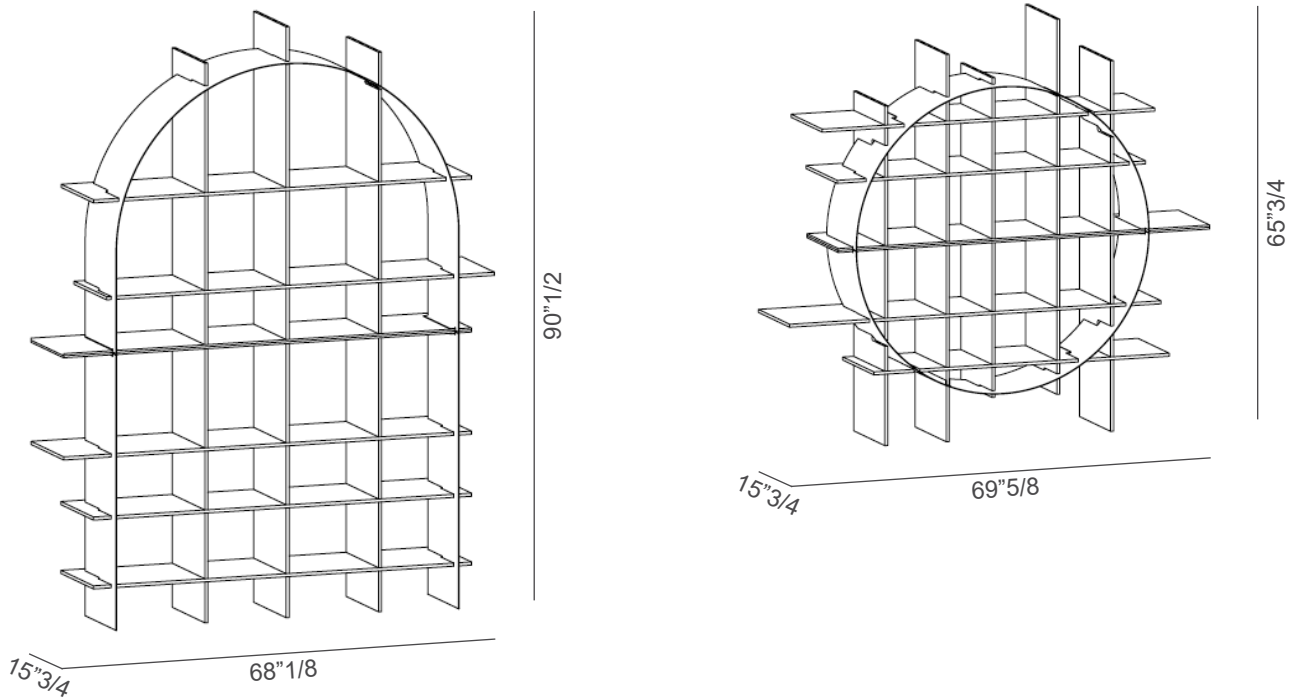
* For more specifications, please refer to the "Finishes & Materials" PDF

Paradigma

Dimensions

Arch: 68"1/8W x 15"3/4D x 90"1/2H

Round structure: 69"5/8W x 15"3/4D x 65"3/4H



* For more specifications, please refer to the "Finishes & Materials" PDF