

T5 E

Design: Giulio Mancini



Description

Extendable table with central base in meta. Rectangular top and extensions available in ceramic with uninterrupted grain, in several matt or polished finishes. The extension mechanism is always matt black lacquered. Two sizes available. Made in Italy.

Finishes & Materials

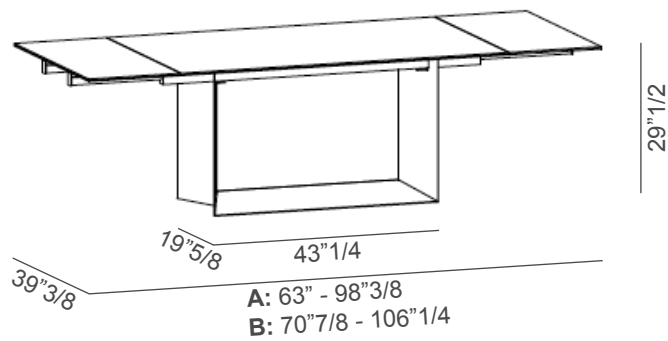
Base: Metal.

Top: Ceramic.

T5 E

Dimensions

A: 63"W x 39"3/8D x 29"1/2H - Extends to 98"3/8 W **B:**
70"7/8W x 39"3/8D x 29"1/2H - Extends to 106"1/4W



* For more specifications, please refer to the "Finishes & Materials" PDF