

Avalon

Design: Mauro Lipparini



Description

Dining table with round top in curved and hammered tempered glass. Base composed of curved metal slabs. Different sizes and finishes available. Made in Italy.



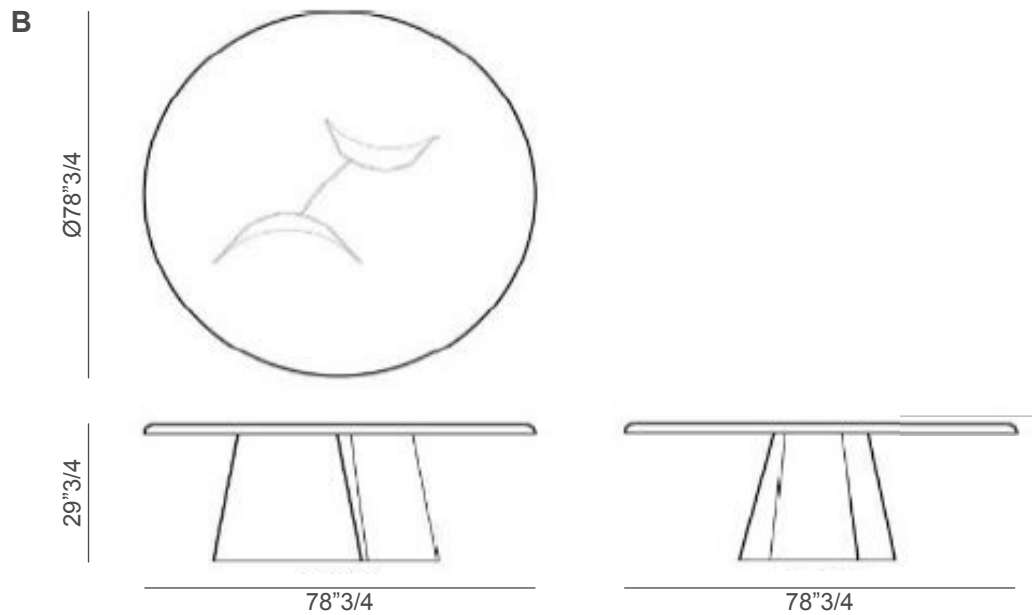
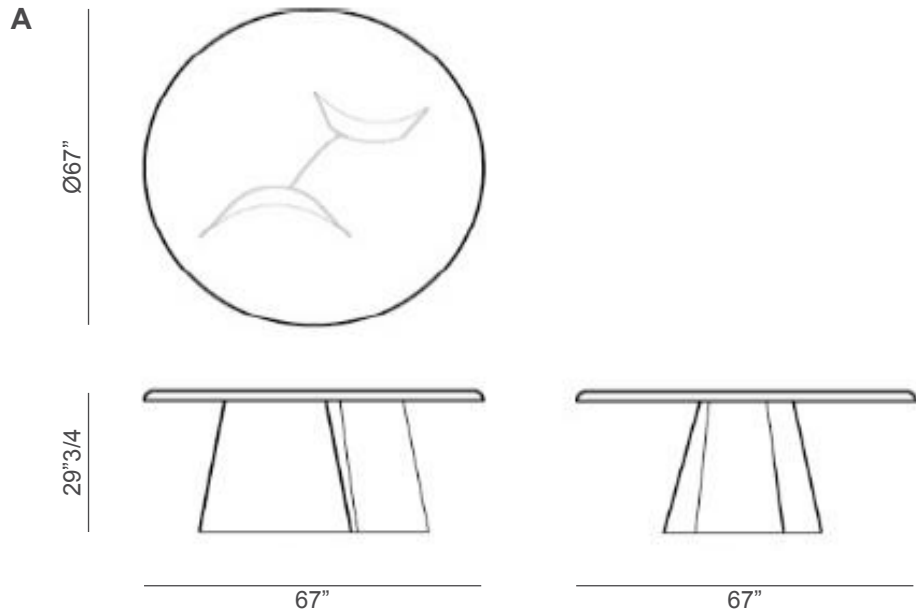
* For more specifications, please refer to the "Finishes & Materials" PDF

Avalon

Dimensions

A: Ø67" x 29"3/4H

B: Ø78"3/4 x 29"3/4H

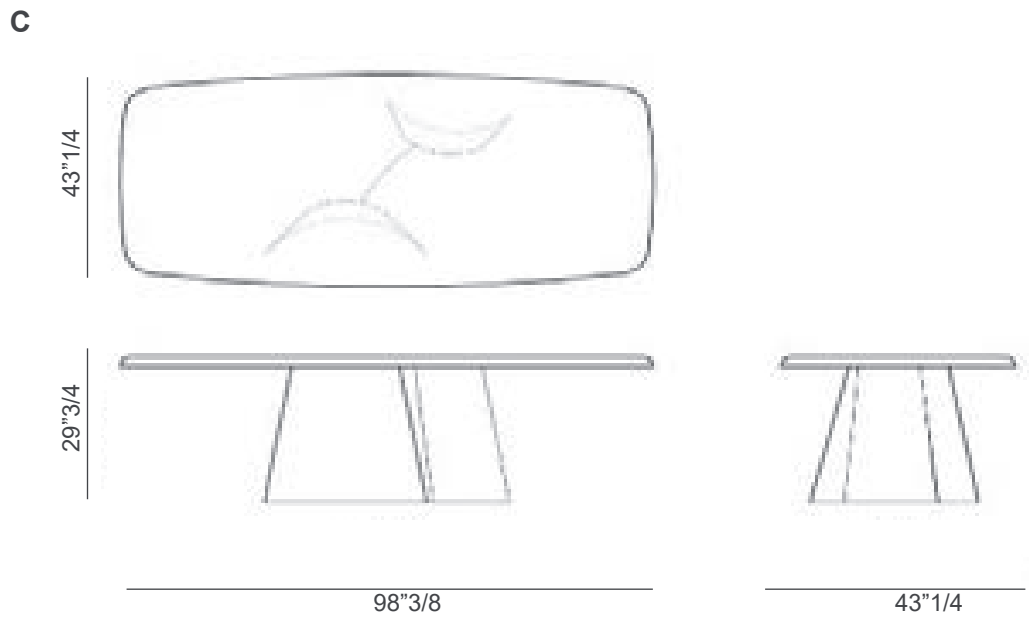


* For more specifications, please refer to the "Finishes & Materials" PDF

Avalon

Dimensions

C: 98"3/8W x 43"1/4D x 29"3/4H



* For more specifications, please refer to the "Finishes & Materials" PDF