

Dorian

Design: Alain Gilles



Description

Sideboard with structure and doors made of painted wood. The base is available in the version with two feet for a lighter visual effect or in the version with a plinth base for more compact look. Available in 3 different combinations:

C1: Outer structure & doors in matt lacquered wood: white | Base in metal: white.

C2: Outer structure & doors in matt lacquered wood: bronze | Base in Plus metal: bronze.

C3: Outer structure & doors in matt lacquered wood: lead | Base in Plus metal: lead.

The signature feature of this sideboard is the wide vertical groove highlighted in its doors. The sense of movement thus created by the doors, breaks up the linearity of the wall on which it rests, thus adding visual appeal to the intrinsic function of the sideboard.
Made in Italy.

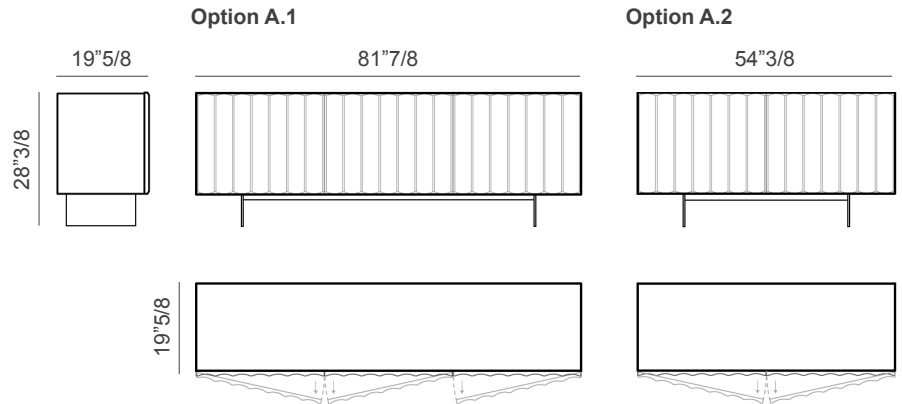
Dorian

Dimensions

Option A - With two feet

A.1) 81"7/8W x 19"5/8D x 28"3/8H

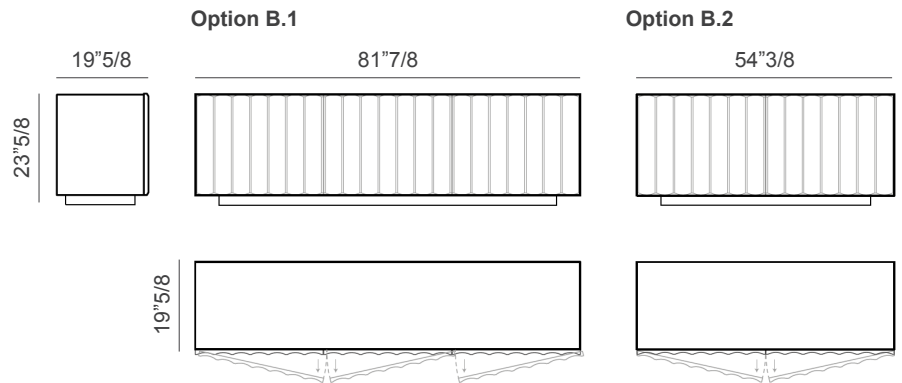
A.2) 54"3/8W x 19"5/8D x 28"3/8H



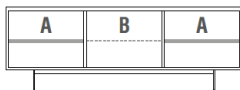
Option B - With plinth base

B.1) 81"7/8W x 19"5/8D x 23"5/8H

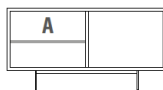
B.2) 54"3/8W x 19"5/8D x 23"5/8H



Options A.1 / B.1



Options A.2 / B.2



INSIDE SHELVES

Options A.1 / B.1: Two lateral shelves (A)

Options A.2 / B.2: One shelf (A)

Internal structure & shelves:

For C1: Melamine wood: white

For C2 - C3: Melamine wood: dark grey

Maximum capacity: 22 lb (10 kg per shelf)

One additional transparent glass central shelf (B), for options A.1 / B.1, is available upon request.

Dimensions: 25"5/8W x 17"D

Maximum capacity: 10 kg per shelf