

Charlotte



Description

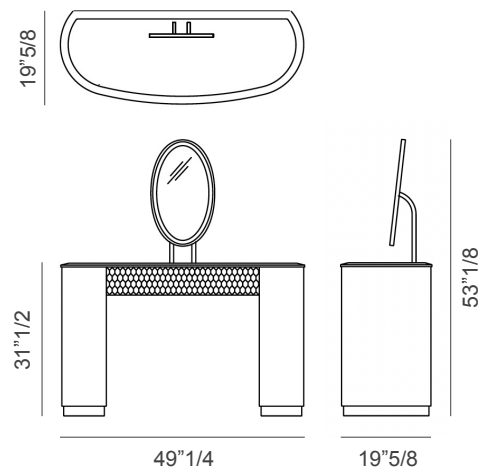
Vanity with MDF and beechwood plywood structure covered in leather. The front part of the drawer, with a slide “Blumotion” system, comes with a refined hexagon quilted finish.

The top is available in glossy/matt lacquered wood or in marble and the base is offered in a wide range of metal options. This beautiful vanity has a shining steel mirror-kit available. Made in Italy.

Dimensions

49”1/4W x 19”5/8D x 31”1/2H

Height with mirror: 53”1/8



* For more specifications, please refer to the “Finishes & Materials” PDF