

Charlotte

Design: Carlo Colombo



Description

Cupboard with structure in solid and veneered Canaletto walnut. Available all in Canaletto walnut or with top and internal back in marble and interior covered in leather. Three versions available: with six drawers, six small drawers and a sliding shelf; with shelves, three small drawers and a metal and glass shelf on the back with a marble circular insert; or the bar version, with mirror back, two big drawers and two drawers. The first two versions are equipped with one shuko, one RJ45 and one high-speed USB socket. The internal compartments have LEDs with touch sensor. The base, with adjustable feet for the leveling, and the joints are in painted metal. Matching leather trays are available on demand. Made in Italy.



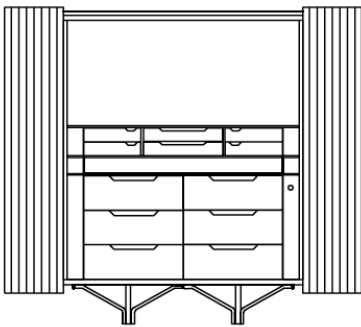
* For more specifications, please refer to the "Finishes & Materials" PDF

Charlotte

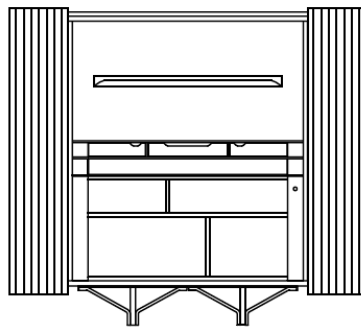
Dimensions

52"W x 20"7/8D x 63"H

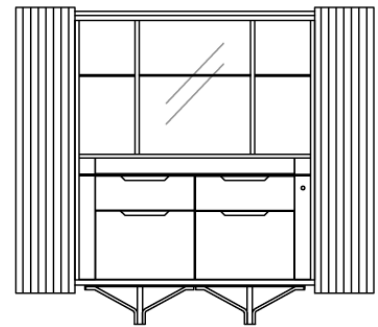
Canaletto walnut top and interior



With drawers

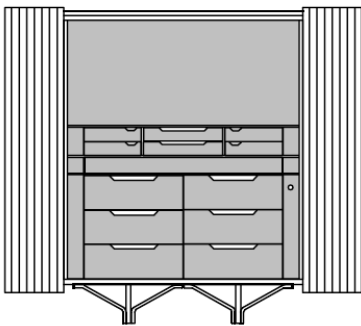


With shelves

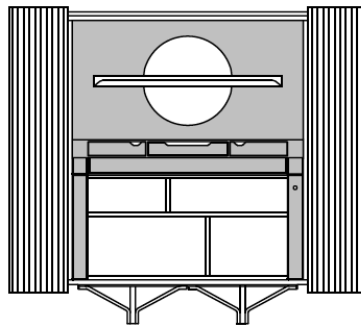


Bar

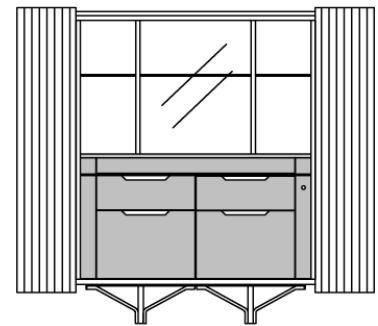
Marble top and internal back and interior covered in leather



With drawers



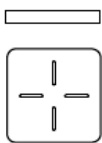
With shelves



Bar

Optional leather tray:

15"3/8W x 15"3/8D x 2"H



Finishes & Materials

Structure: Wood

Top & Internal Back: Wood or Marble

Interior: Wood or Leather

Base: Metal Finishes

* For more specifications, please refer to the "Finishes & Materials" PDF