

Summa

Design: Giancarlo Bosio & Centro Ricerche Giorgetti



Description

Ottoman composed by three side-by-side elements covered in fabric or leather. The central element is always covered in leather and the two side elements can be covered in leather or fabric, even in different fabrics. Lacquered plinth base. Made in Italy.

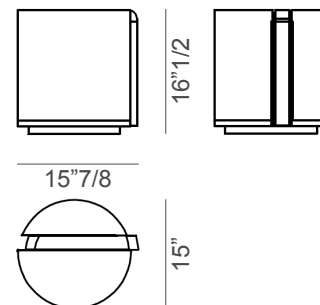
Finishes & Materials

Elements Cover: Fabric or Leather.

Base: Lacquered plinth.

Dimensions

15"7/8W x 15"D x 16"1/2H



* For more specifications, please refer to the "Finishes & Materials" PDF