

# Tamino

*Design: Roberto Lazzeroni*



## *Description*

Lounge chair with structure in Polimex (polyester and polyurethane composite material), padded with expanded flexible multi-density polyurethane, covered in fibers. Available in two versions, with Canaletto walnut base and metal feet or with a single Canaletto walnut base and a seat cushion. Non removable covers with a characteristic leather insert along the piping. Available in fabric or leather in one color or with the external and internal parts also in two different fabrics or with the external part in leather and the internal one and the seat cushion in fabric or leather. Goose-down cushions with removable covers in fabric or leather are available on demand. Made in Italy.



\* For more specifications, please refer to the "Finishes & Materials" PDF

## Tamino

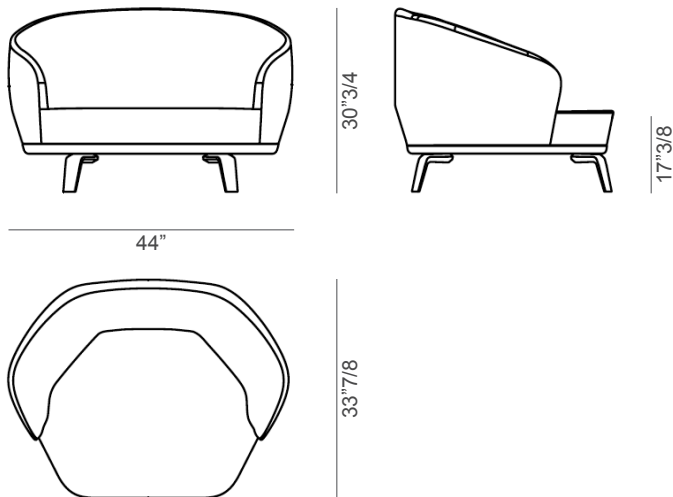
### Dimensions

**With Feet:** 44"W x 33"7/8D x 30"3/8H

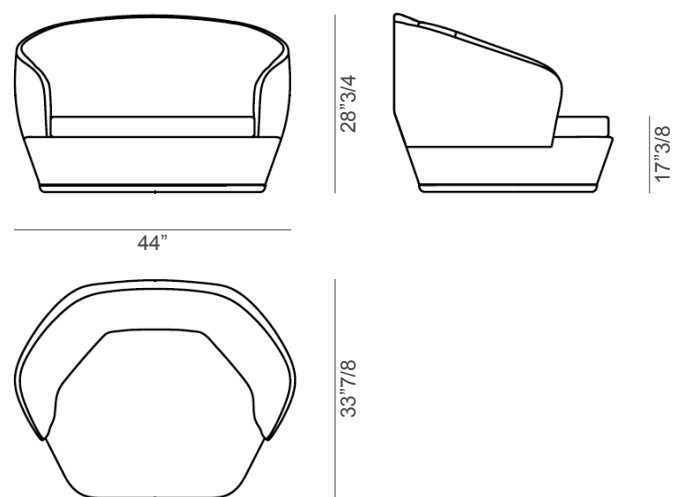
**With Base:** 44"W x 33"7/8D x 28"3/4H

**Seat height:** 17"3/8

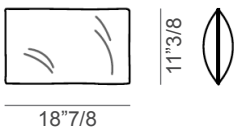
**With Feet**



**With Base**



**Optional cushion:**



### Finishes & Materials

**With Feet:** Fabric o Leather

**Structure:** Wood

\* For more specifications, please refer to the "Finishes & Materials" PDF