

## Kent



### Description

Nightstand with multilayer structure glossy / matt lacquered, noce canaletto wood or leather. Internal matt lacquered. Inserts, top frame and base in stainless steel.

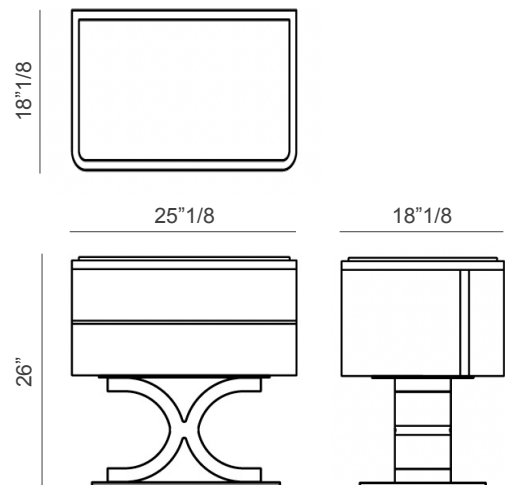
The refined top is available in noce canaletto wood, marble or glossy / matt lacquered.

It comes with two drawers, with drawer slides "Blumotion" system, and with the internal part covered in microfiber. Made in Italy.



### Dimensions

25"1/8W x 18"1/8D x 26"H



\* For more specifications, please refer to the "Finishes & Materials" PDF