

Musa

Design: Antonello Mosca



Description

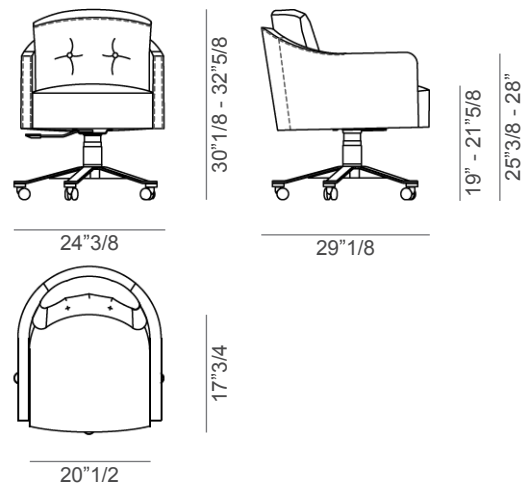
Swivel armchair with five point base in painted metal and rotating castors. The height is regulated by a gas spring. The backrest structure is in cold expanded polyurethane foam and the. The seat cushion is in profiled steel immersed in cold expanded polyurethane foam, with fibers covering and the back cushion is in expanded, non-deformable polyurethane and fibers. Non-removable covers available in fabric or leather. Made in Italy.

Dimensions

24"3/8W x 29"1/8D x 30"1/8 - 32"5/8H

Seat height: 19" - 21"5/8

Armrest height: 25"3/8 - 28"



* For more specifications, please refer to the "Finishes & Materials" PDF

Musa

Design: Antonello Mosca



Description

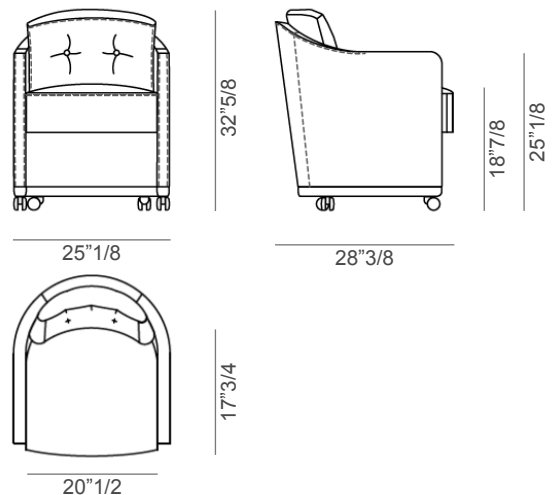
Armchair with rotating castors. The structure is in profiled steel immersed in cold expanded polyurethane foam, with skirting in solid polished beech wood. The seat cushion is in profiled steel immersed in cold expanded polyurethane foam, with fibers covering and the back cushion is in expanded, non-deformable polyurethane and fibers. Non-removable covers in fabric or leather. Made in Italy.

Dimensions

25"1/8W x 28"3/8D x 32"5/8H

Seat height: 18"7/8

Armrest height: 25"1/8



* For more specifications, please refer to the "Finishes & Materials" PDF