

Venus

Design: Roberto Lazzeroni



Description

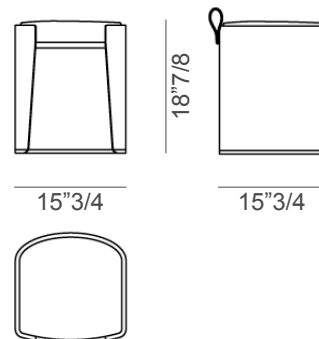
Ottoman with structure in curved plywood and seat in flexible multi-density polyurethane, covered with fibers. The feet are painted in a bronze color with natural effect. The handle and the external upholstery are in leather, while the cushion can be in fabric or leather. The upholstery is not removable. Made in Italy.

Finishes & Materials

External Upholstery Cover: Leather
Seat Cover: Fabric or Leather.

Dimensions

15"3/4W x 15"3/4D x 18"7/8H



* For more specifications, please refer to the "Finishes & Materials" PDF