

Hiru

Design: Mario Ferrarini



Description

Armchair with solid ash wood frame. Seat and backrest upholstered in fire-retardant polyurethane foam. Finishes and coverings as per collection. Made in Italy.

Finishes & Materials

Frame: Wood

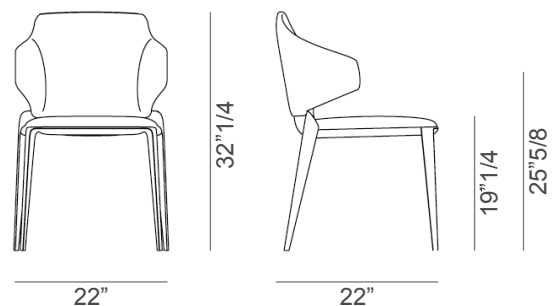
Seat and backrest: Fabric, Eco-Leather or Leather

Dimensions

22"W x 22"D x 32"1/4H

Seat height: 19"1/4

Armrest height: 25"5/8



* For more specifications, please refer to the "Finishes & Materials" PDF

Hiru

Design: Mario Ferrarini



Description

Chair with solid ash wood frame. Seat and backrest upholstered in fire-retardant polyurethane foam. Finishes and coverings as per collection. Made in Italy.

Finishes & Materials

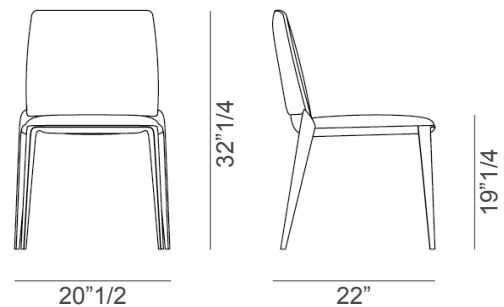
Frame: Wood

Seat and backrest: Fabric, Eco-Leather or Leather

Dimensions

20"1/2W x 22"D x 32"1/4H

Seat height: 19"1/4



* For more specifications, please refer to the "Finishes & Materials" PDF