

## Flora

*Design: Umberto Asnago*



### *Description*

Armchair with frame in curved beech plywood. Backrest and seat padded in CFC-free polyurethane foam with density of 25 and 30 kg/m<sup>3</sup> covered with polyester wadding. Steel armrests covered in soft leather. Upholstery available only in soft leather. 5-star swivel base in die-cast polished aluminum, height adjustable through gas piston and equipped with a tilt mechanism. Made in Italy.



## Flora

---

### Dimensions

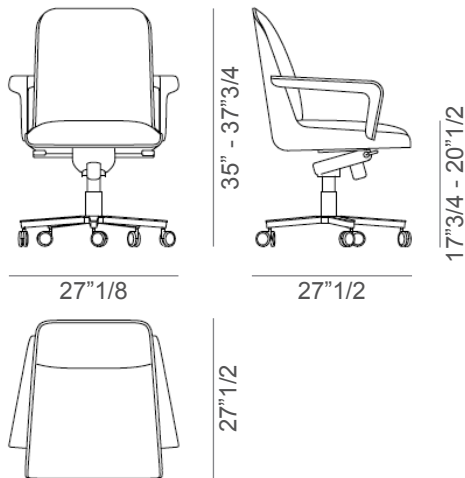
Low: 27"1/8W x 27"1/2D x 35" - 37"3/4H

Seat height: 17"3/4 - 20"1/2

High: 27"1/8W x 30"D x 44"7/8 - 47"5/8H

Seat height: 17"3/4 - 20"1/2

#### Low Backrest



#### High Backrest

