

Inca

Design: Valerio Sommella



Description

Executive armchair with 5-star swivel base in die-cast aluminum, polished on the upper part and black painted in the lower part, height adjustable through gas-piston and equipped with an ergonomic mechanism. Structure in tubular steel embedded in cold-foamed polyurethane, with a density of 60 kg/m³, CFC-free and covered with polyester wadding. The polyurethane foam is fireproof according to Italian law class 1IM; on request it is also available according to other international standards. Also on request the 5-star aluminum base can be covered in solid black walnut wood. Upholstery available only in soft leather. Made in Italy.

Inca

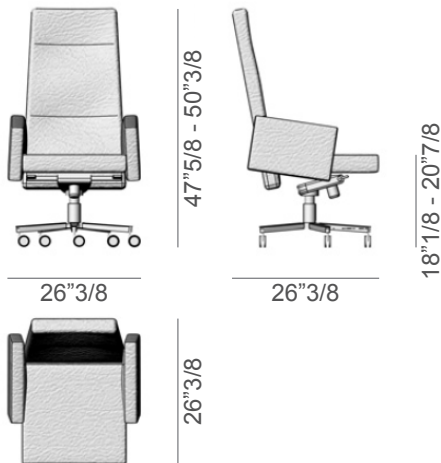
Dimensions

Executive: 26"3/8W x 26"3/8D x 47"5/8 - 50"3/8H

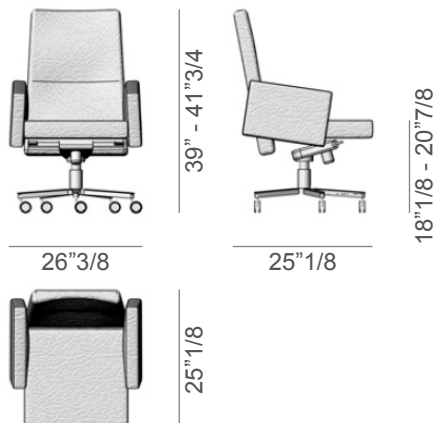
Conference: 26"3/8W x 25"1/8D x 39" - 41"3/4H

Tub: 26"3/8W x 25"1/8D x 28"3/4 - 31"1/2H

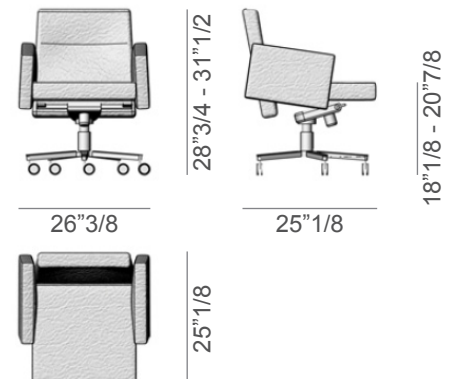
Executive



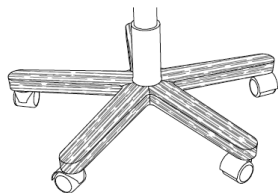
Conference



Tub



Optional:



5-star aluminum base on casters covered in solid black walnut wood

* For more specifications, please refer to the "Finishes & Materials" PDF