

Kubrik



Description

Lounge chair with double reclining mechanism that allows to recline both backrest (with the headrest) and footrest separately, in order to achieve the best comfort and ergonomics. Keyboard to control reclining placed on the side of seating. Fabric or leather cover.

Also, extra accessories are available to maximize comfort: like pockets for arms and a swivel removable little table.

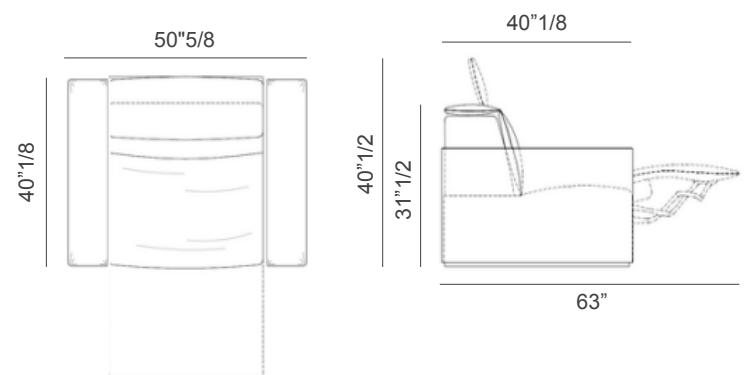
This seating is perfect for home cinema or living areas. Made in Italy.

Dimensions

50"W x 40"1/8D x 31"1/2H

With headrest, backrest and footrest reclined:

50"5/8W x 63"D x 40"1/2H



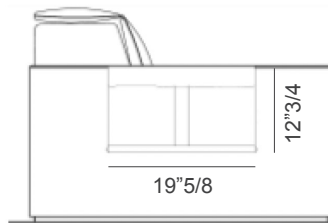
* For more specifications, please refer to the "Finishes & Materials" PDF

Kubrik

Accessories

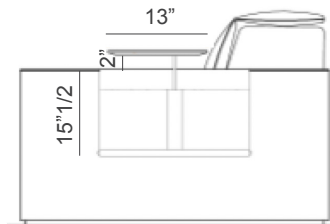
Pockets for arms

With 2 compartments.
With metal bars at the bottom.
Available in fabric or leather.



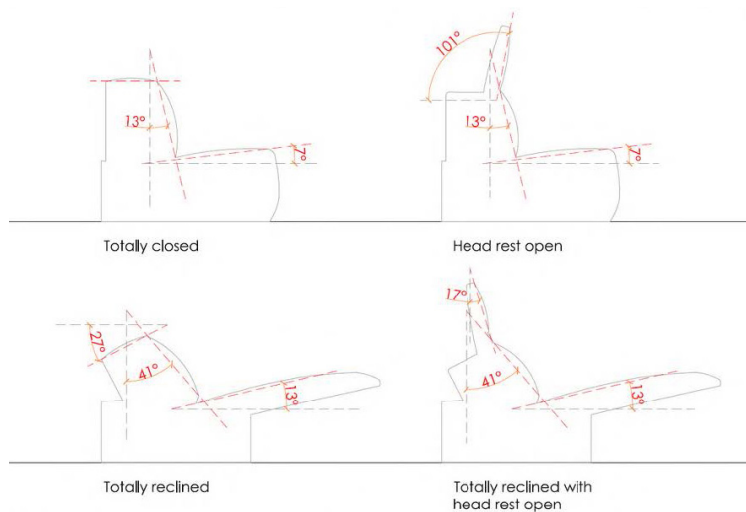
Swivel little table to add to arms

Available only in combination with pockets.
Top: lacquered, canaletto, makassar ebony.
Steel support: chrome / gold / bronze / black nickel / lacquered.



Specifications

Reclining mechanism



* For more specifications, please refer to the "Finishes & Materials" PDF