

## Pacific

*Design: Daniele Lo Scalzo Moscheri*



### *Description*

Sectional with curved structure in solid spruce and beech wood supports in various thicknesses. Base in class E1 plywood panels; details in hard or cellulose wood fibre panels. The back is made up of plywood panels. Seat with pre-tensioned crossed propylene fibre and latex elastic webbing. Non removable covers available in fabrics as per collection or customer's own fabric. TheBreath® panel standard included in each item. Made in Italy.



## Pacific

---

### Dimensions

Composition A: 131"1/2W x 136"5/8D x 33"H

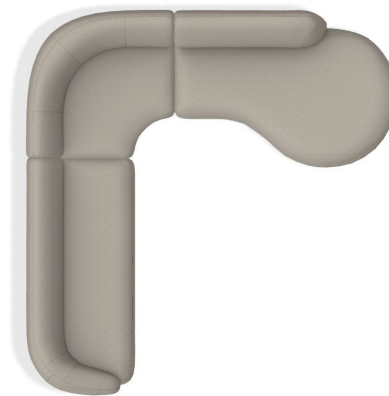
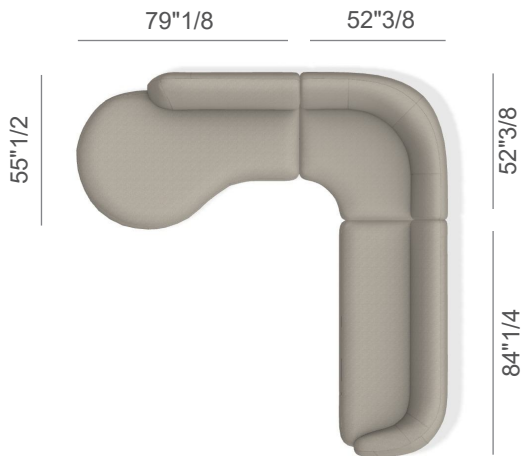
Seat height: 17"

Composition B: 131"1/2W x 152"D x 33"H

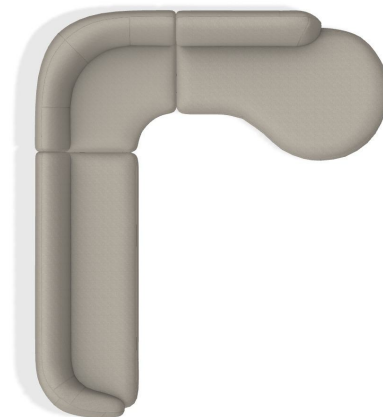
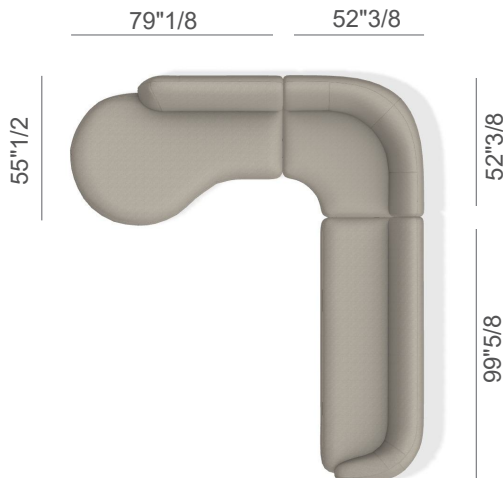
A

Left

Right



B



## Pacific

### Dimensions

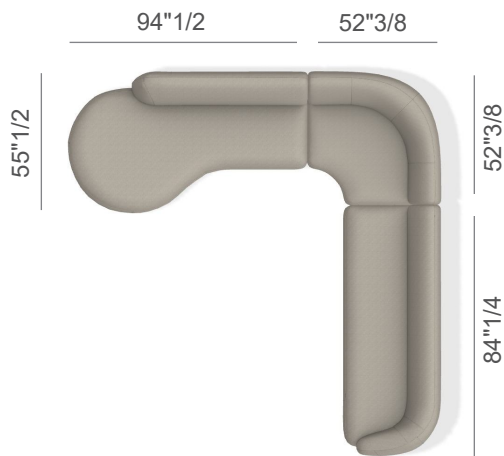
Composition C: 146"7/8W x 136"5/8D x 33"H

Seat height: 17"

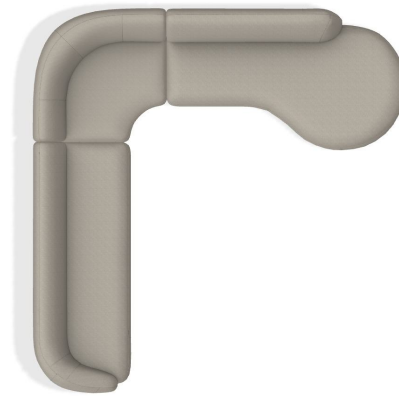
Composition D: 146"7/8W x 152"D x 33"H

C

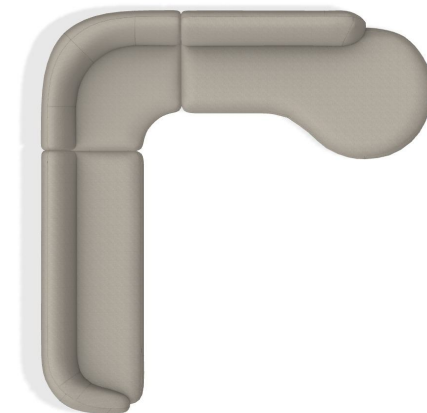
Left



Right



D



## Pacific

---

### Dimensions

Composition E: 145"1/2W x 66"1/2D x 33"H

Seat height: 17"

Composition F: 161"W x 66"1/2D x 33"H

**E**

Left



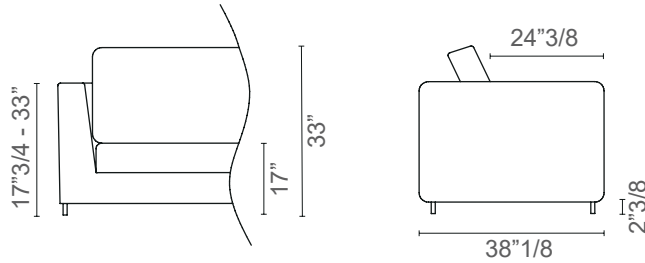
Right



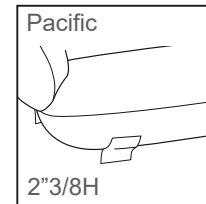
**F**



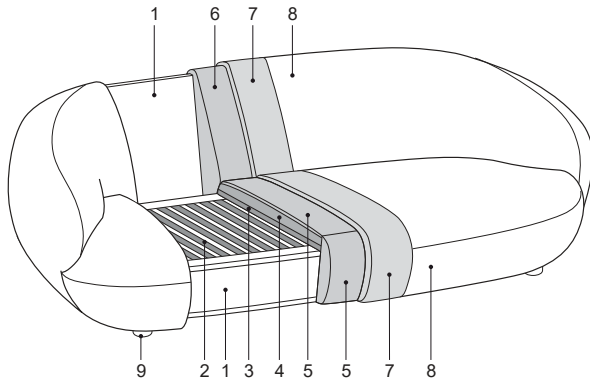
## Pacific



### Feet:

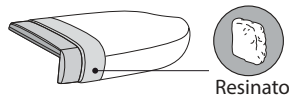


## Internal composition



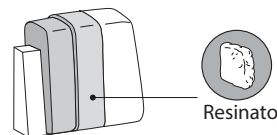
1. Wooden structure
2. Springing
- 3,4,5,6,7. Padding
8. Non removable upholstery

### Seat



D.30/40/45kg/m<sup>3</sup>

### Backrest



Sheets D.21/30 kg/m<sup>3</sup>



Pure Breath is an innovative new product that provides pure air with zero energy consumption. A panel fitted under the sofa filters the air from the surrounding environment, reducing pollutants from heating, air conditioning, allergens, chemical products and fine dust.

\* For more specifications, please refer to the "Finishes & Materials" PDF