

Pillar

Design: Daniele Lo Scalzo Moscheri



Description

Dining table with molded concrete slab base, a fully recyclable material, unique of its kind, without resins, 100% natural, of high resistance and quality. The feature that enhances each base, never the same as another, is that it is a simple and raw material, with random surface imperfections that exalt the uniqueness of the product, the result of skilled craftsmanship. Shaped top available in marble or in painted E1 class particleboard wooden panel (MDF). Two sizes and two versions available: light base + light top and dark base + dark top. Made in Italy.



* For more specifications, please refer to the "Finishes & Materials" PDF

Pillar

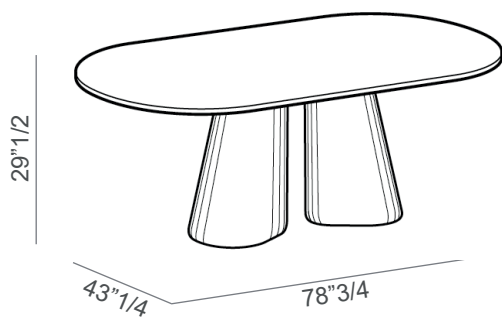
Dimensions

A: 78"3/4W x 43"1/4D x 29"1/2H

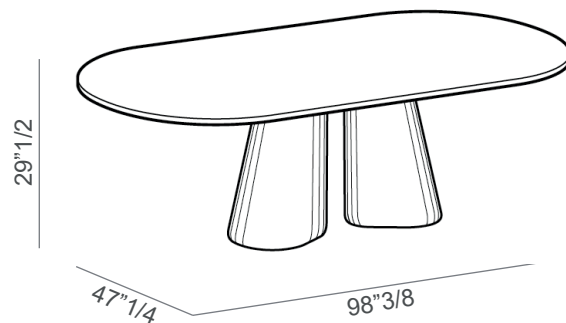
B: 98"3/8W x 47"1/4D x 29"1/2H

C: 126"W x 50"3/8D x 29"1/2H

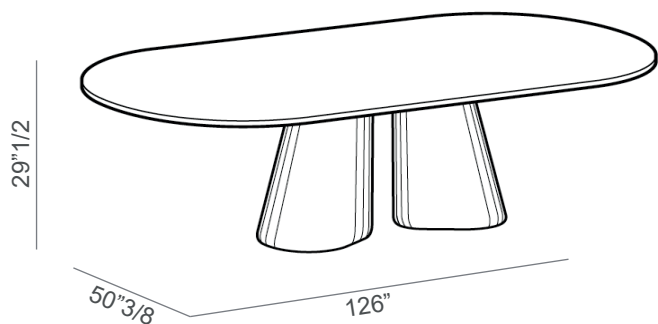
A



B



C



* For more specifications, please refer to the "Finishes & Materials" PDF