

Royal

Design: Gabriele And Oscar Buratti



Description

Timelessness is the key feature of high-end Royal Bed. Reinterpreted proportions and the illusion of hovering in the air make this unique Italian designer bed an elegant item for contemporary living. A perfect option for designers who want to include luxury Italian furniture in their projects. Designed by Ditre Italia. Made in Italy.



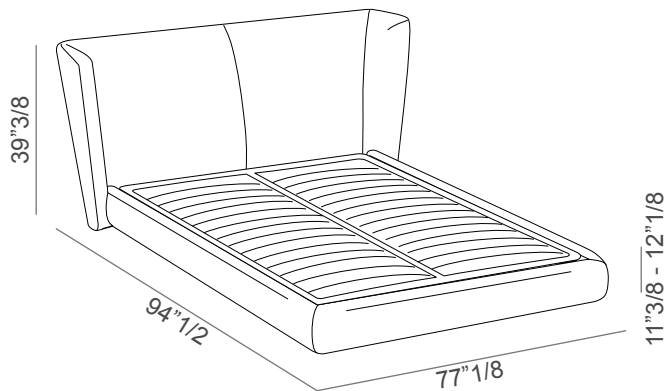
Royal

Dimensions

Queen Size

77"1/8W x 94"1/2D x 39"3/8H

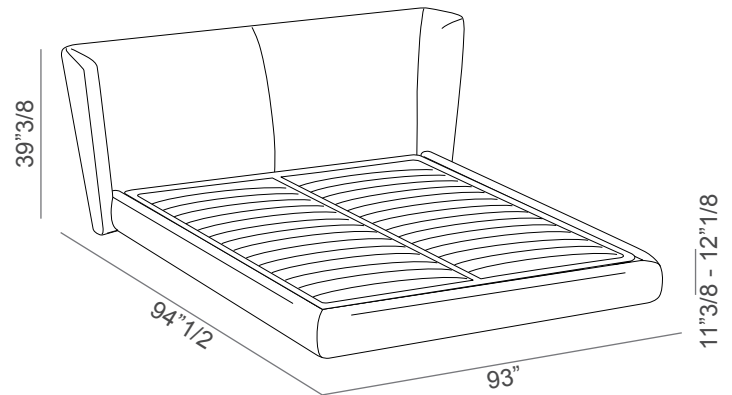
(To fit American Queen Size mattress: 60" x 80")



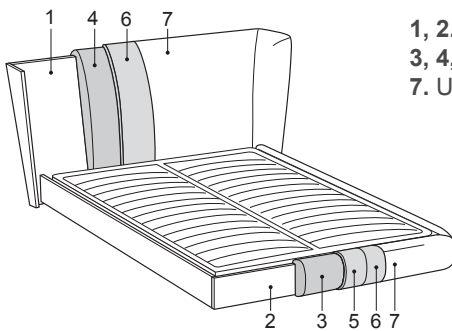
King Size

93"W x 94"1/2D x 39"3/8H

(To fit American King Size mattress: 76" x 80")

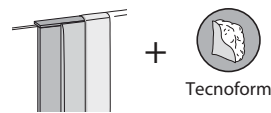


Internal composition:



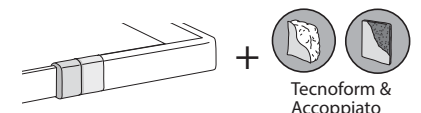
- 1, 2. Structure
- 3, 4, 5, 6. Padding
- 7. Upholstery

Headboard



D.21/30kg/m³

Base



D.30kg/m³

Feet

Standard feet: Odd 5"1/8H

