

Flexion

Design: Edoardo Gherardi



Description

Fixed table with a curved column that rests on a steel base with a C5M protective cycle (which makes it suitable for use in marine areas). Powder coating varnishing.

The top is offered with round, elliptical or organic shape and is available in HPL or bush-hammered ceramic finishes. Top thickness: 1/2". Weatherproof and UV resistant. Made in Italy.



* For more specifications, please refer to the "Finishes & Materials" PDF

Flexion

Dimensions

With round top:

A) $\text{Ø}47\frac{1}{4} \times 29\frac{5}{8}\text{H}$

B) $\text{Ø}51\frac{1}{8} \times 29\frac{5}{8}\text{H}$

With round top:

C) $\text{Ø}55\frac{1}{8} \times 29\frac{5}{8}\text{H}$

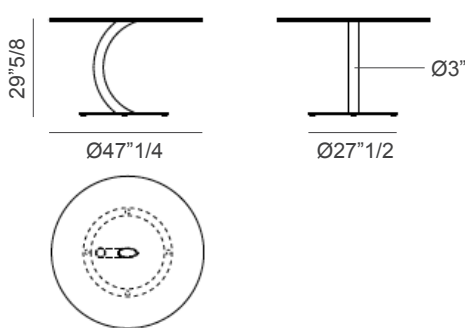
D) $\text{Ø}59 \times 29\frac{5}{8}\text{H}$

With elliptical and organic top:

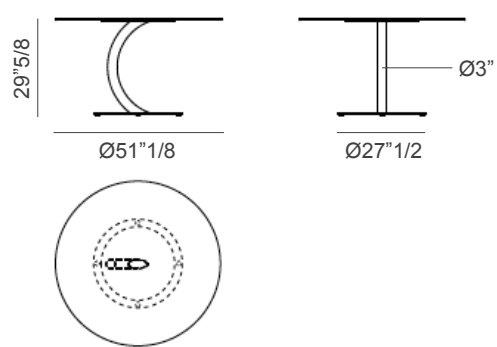
E) $55\frac{1}{8}\text{W} \times 39\frac{3}{8}\text{D} \times 29\frac{5}{8}\text{H}$

F) $59\text{W} \times 39\frac{3}{8}\text{D} \times 29\frac{5}{8}\text{H}$

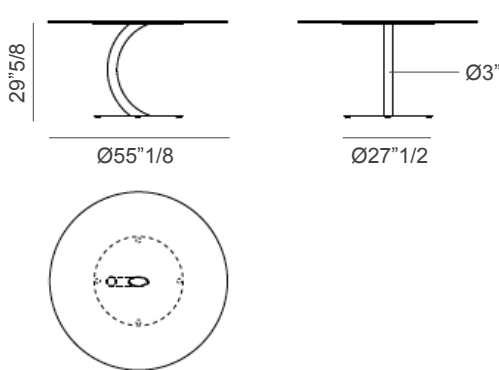
With round top A



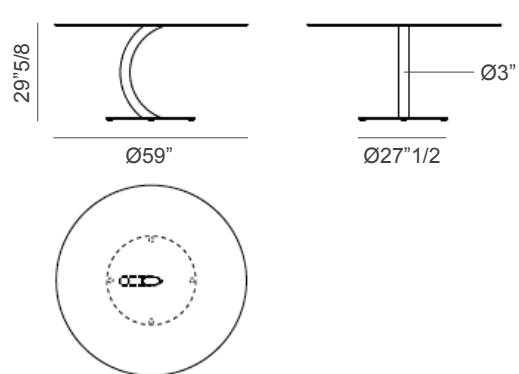
With round top B



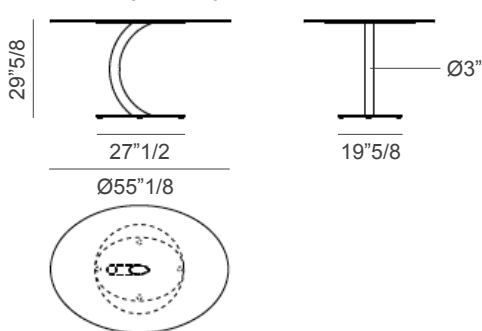
With round top C



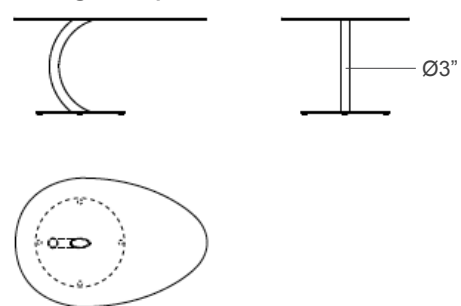
With round top D



With elliptical top E



With organic top F



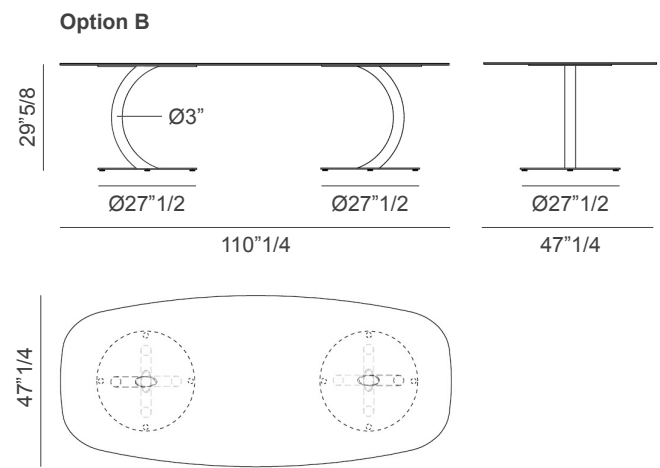
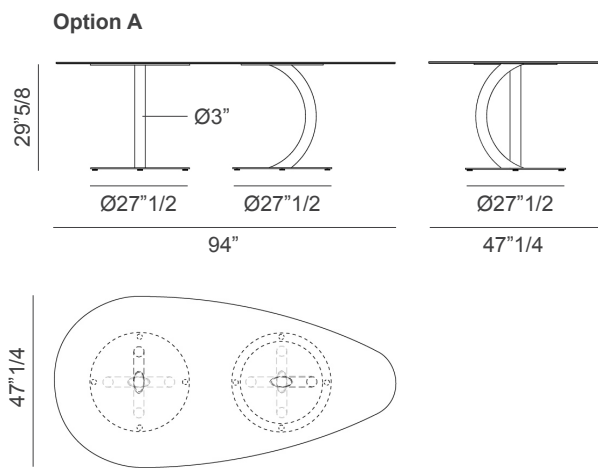
* For more specifications, please refer to the "Finishes & Materials" PDF

Flexion

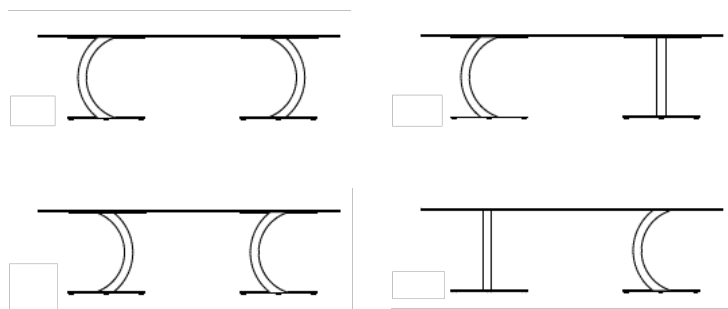
Dimensions

G) 94"1/2W x 47"1/4D x 29"5/8H

H) 110"1/4W x 47"1/4D x 29"5/8H



The direction of the legs is free:



* For more specifications, please refer to the "Finishes & Materials" PDF