

Lucia



Description

Lounge chair with supporting structure in plywood panels and solid fir wood of differing thicknesses, sides in class E1 particleboard panels, buffers in hard or cellulose wood fiberboard panels.

The structure is fully covered in expanded polyurethane sheets and Tecnoform. The backrest is made of hard or cellulose wood fiber panels and the seat in plywood panels. Backrest cushion in expanded polyurethane, covered in Tecnoform. Seat cushion in non-deformable polyurethane foam, covered in Tecnoform. Fabric upholstery fully removable; in leather, the backrest cushion cover is removable but the frame upholstery is not. In the mix version, the backrest cushion cover in fabric is removable. Leather covers, unlike the ones in fabric, can require additional stitchings. Legs in lacquered metal. Made in Italy.



* For more specifications, please refer to the "Finishes & Materials" PDF

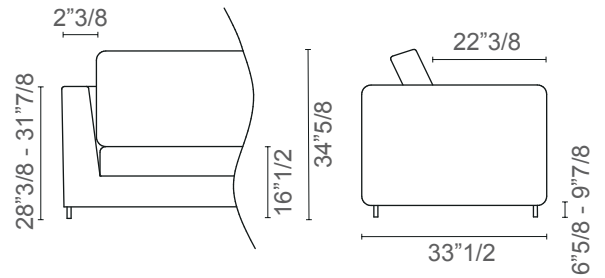
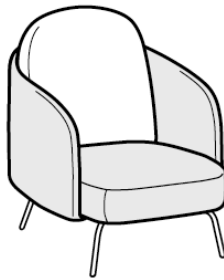
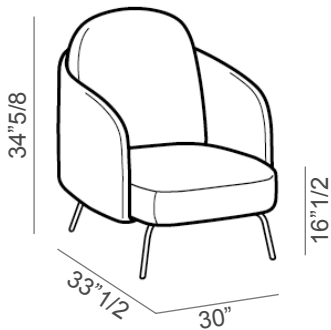
Lucia

Dimensions

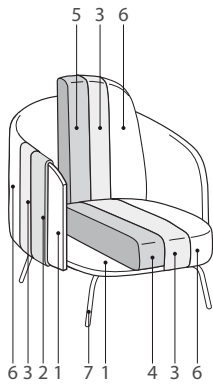
30"W x 33"1/2D x 34"5/8H

Seat height: 16"1/2

Mix version, with seat and backrest in leather, and backrest cushion in fabric

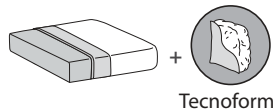


Internal composition:



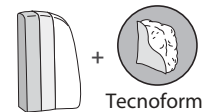
- 1. Structure
- 2,3,4,5. Padding
- 6. Upholstery
- 7. Metal legs

Seat



D.30kg/m³

Backrest



D.40kg/m³

* For more specifications, please refer to the "Finishes & Materials" PDF

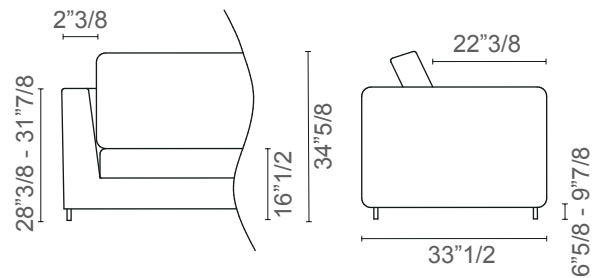
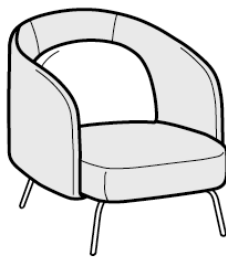
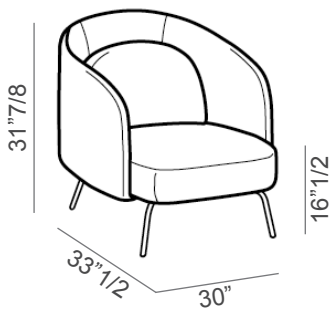
Lucia

Dimensions

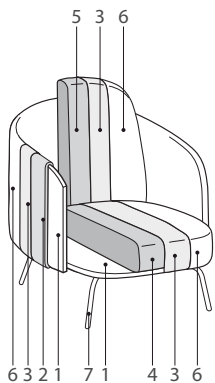
30"W x 33"1/2D x 31"7/8H

Seat height: 16"1/2

Mix version, with seat and backrest in leather, and backrest cushion in fabric

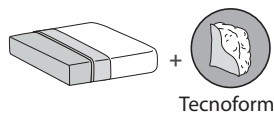


Internal composition:



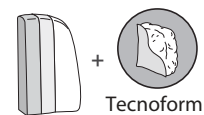
- 1. Structure
- 2,3,4,5. Padding
- 6. Upholstery
- 7. Metal legs

Seat



D.30kg/m³

Backrest



D.40kg/m³

* For more specifications, please refer to the "Finishes & Materials" PDF