

Nathan

Design: Gabriele & Oscar Buratti



Description

Double bed with headboard frame in solid ash wood, headboard in E1 class multilayer wood panels and bed sides and footboard in multilayer wood panels in class E1. Padded headboard and base with removable covers in fabric or non removable covers in eco-leather and leather. Detail of the headboard in non-removable leather, not available in fabric or eco-leather. Height-adjustment option for the bed base that supports the mattress, allowing total or partial integration. A wide variety of metal and wooden feet is available. Made in Italy.



* For more specifications, please refer to the "Finishes & Materials" PDF

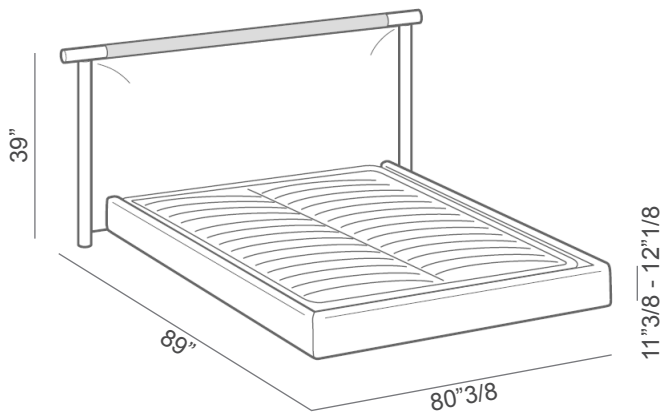
Nathan

Dimensions

Queen Size

80"3/8W x 89"D x 39"H

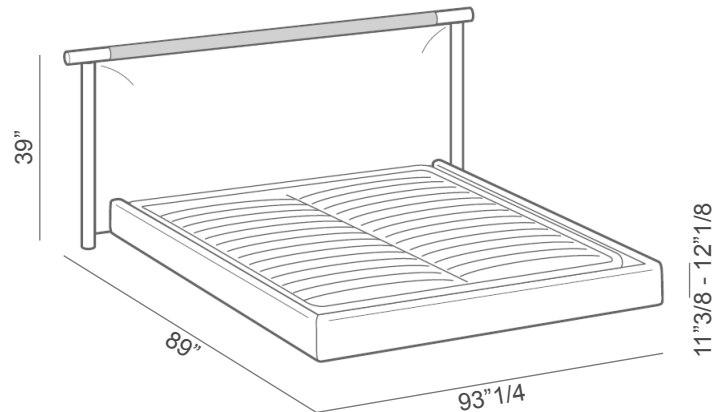
(To fit American Queen Size mattress: 60" x 80")



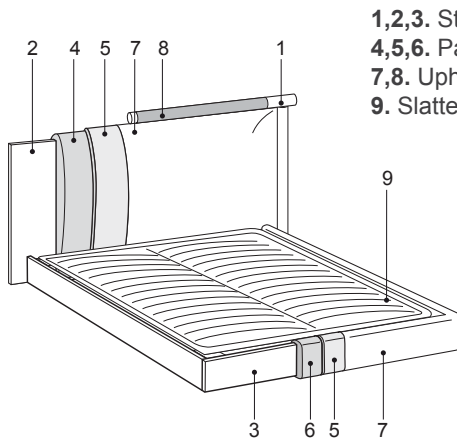
King Size

93"1/4W x 89"D x 39"H

(To fit American King Size mattress: 76" x 80")

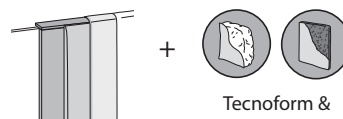


Internal composition:



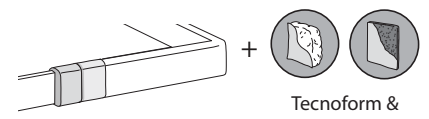
- 1,2,3. Structure
- 4,5,6. Padding
- 7,8. Upholstery
- 9. Slatted base

Headboard



D.21/30kg/m³

Base



D.30kg/m³

Feet

Standard feet: Host

