

# Milo

*Design: Studio Kairos*

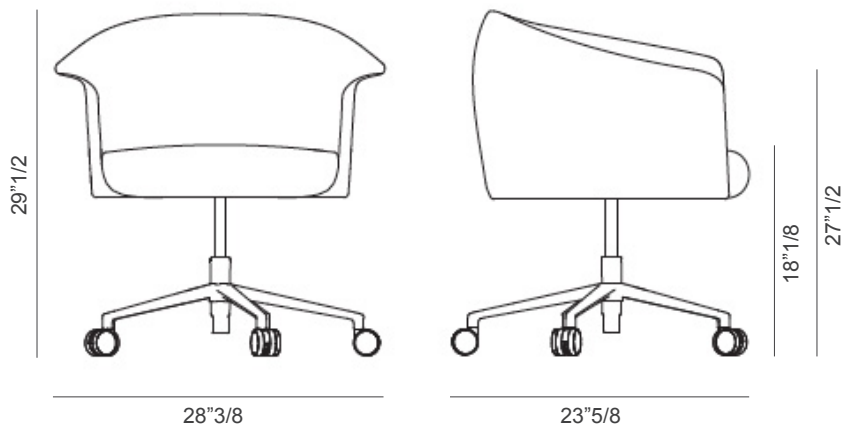


## Description

Milo is a soft, incredibly comfortable chair thanks to its expanded polyurethane padding.

It is meant for desks and meeting tables.

5-point-star base on castors, made of aluminum. Shell and seat covered in fabric or leather (non-removable cover). Made in Italy.



## Dimensions

28"3/8W x 23"5/8D x 29"1/2H

**SH:** 18"1/8 | **AH:** 27"1/2