

## Bali

*Design: Nicola Cacco*



### **Description**

Lounge chair with a sinuous design and great personality, characterized by elegant details that recall Italian craftsmanship. Differentiated density polyurethane foam padding combined with a multilayer wooden structure and seats with pocket steel springs to ensure maximum comfort and adequate lumbar support.

Available in Leather, techno-Leather or fabric finish. Peltro painted base.

Optional cushions available upon request.

Made in Italy.

### **FEATURES:**

Structure: fir wood and poplar plywood.

Structure padding: variable-density polyurethane foam covered with 100 gr resin-coated polyester fiber interliner.

Seat cushion padding: polyurethane foam in different densities with pocket spring system covered with memory foam and 100 gr resin velvet in polyester fiber.

Back cushion padding: internal insert in polyurethane foam covered with top quality goose down divided into compartments: washed, sanitized and sterilized.

Decorative cushion padding: top quality goose down divided into compartments: washed, sanitized and sterilized.

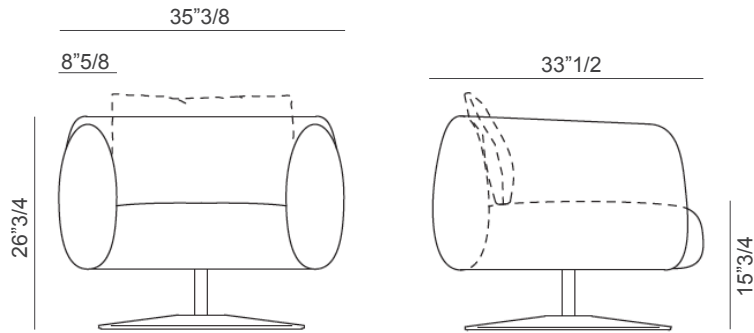
## Bali

### Dimensions

35"3/8W x 33"1/2D x 26"3/4H

Seat height: 15"3/4

1 back cushion recommended



**Decorative cushion) 15"3/4W x 15"3/4H**

**Back cushion) 19"5/8W x 19"5/8H**

