

Grand More



Description

Table with round tops and legs. 2³/₈ profiles; the legs taper downwards, reducing the angle of the top's rounded frame.

The legs are in Black Epoxy or Metal Standard varnished metal. The top flush with the structure is available with a finish of Matt Lacquered, Wood, Glossy Marble Effect, Back-Lacquered Satin Glass or Ceramic.

Made in Italy.

Grand More

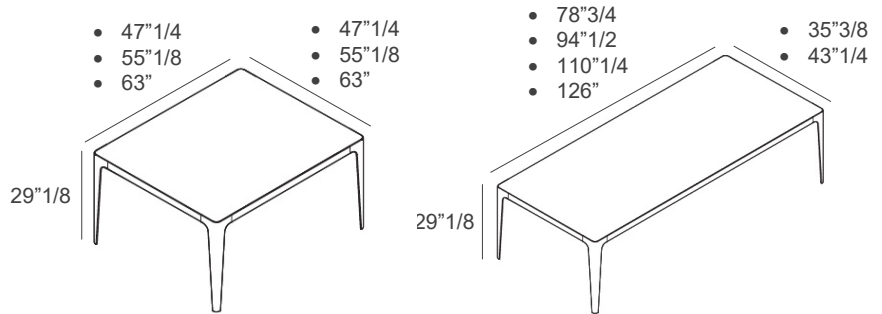
Dimensions

Square top

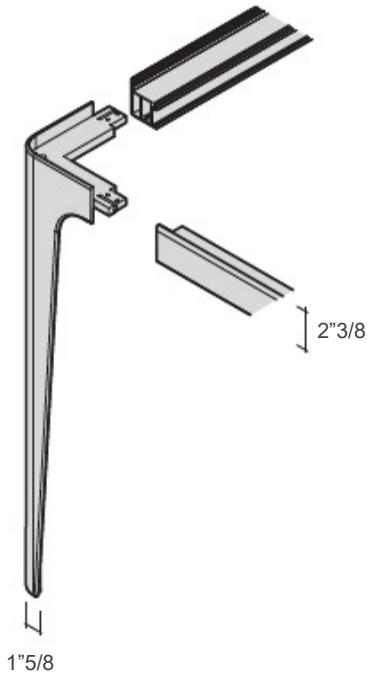
- A) 47"1/4W x 47"1/4D x 29"1/8H
- B) 55"1/8W x 55"1/8D x 29"1/8H
- C) 63"W x 63"D x 29"1/8H

Rectangular top

- A) 78"3/4W x 35"3/8D x 29"1/8H
- B) 94"1/2W x 43"1/4D x 29"1/8H
- C) 110"1/4W x 43"1/4D x 29"1/8H
- D) 126"W x 47"1/4D x 29"1/8H

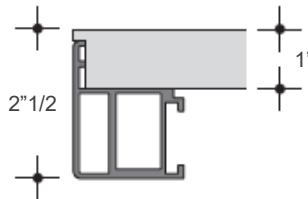


LEG DETAILS

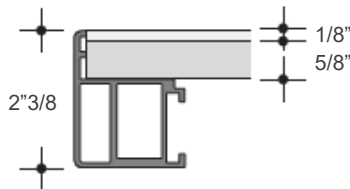


TOP SECTION

Lacquered wood / Marble effect



Back Lacquered Satin Glass



Ceramic

