

Bonamour

Design: Mauro Lipparini

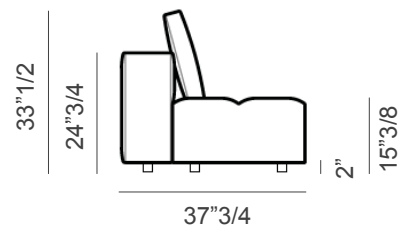


The image corresponds to Composition C

Description

Sectional with structure in wood and wood conglomerate. Seat, backrests and armrests padded in polyurethane foam, velour lining coupled with polyester fiber. Back cushions padded in mixed down and polyurethane foam, lining in 100% cotton feather-proof fabric.

Feet with matt varnished metal cylindrical profile, with plastic spacers. The removable cover is available in a wide range of fabric options. To optimize the individual needs of comfort, decorative cushions are offered upon request. Made in Italy.



The joint between elements is by fork mechanism.

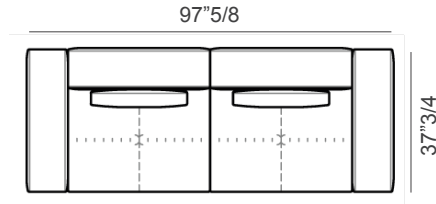
Bonamour

Compositions

Composition A

97"5/8W x 37"3/4D x 33"1/2H

- . 2 x W743 Armrest
- . 2 x F416 Center section

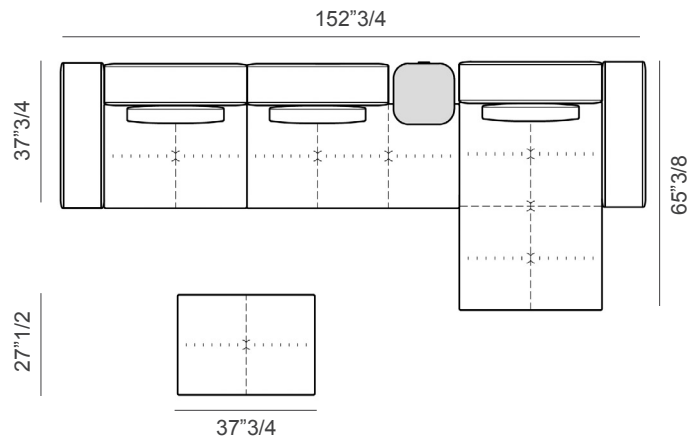


Composition B

152"3/4W x 65"3/8D x 33"1/2H
+ Ottoman

- . 2 x W743 Armrest
- . 1 x F416 Center section
- . 1 x F418 Penisola
- . 1 x F411 Chaise lounge
- . 1 x W646 Ottoman

TO BE COMPLETED with
1 x JØMB Optional Paddle - Side table

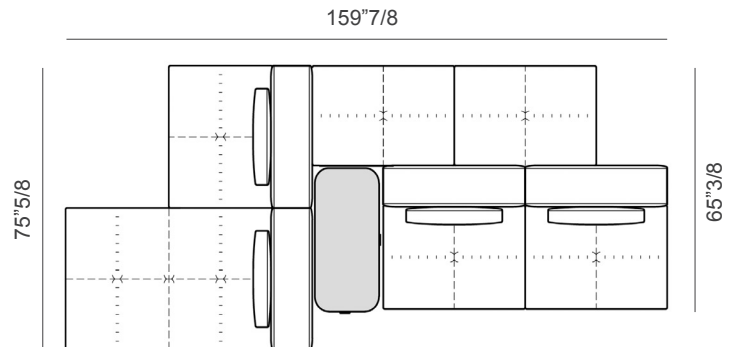


Composition C

159"7/8W x 75"5/8D x 33"1/2H

- . 1 x F411 Chaise lounge
- . 3 x F416 Center section
- . 2 x W641 Penisola

TO BE COMPLETED with
1 x JØMA Optional Paddle - Side table



Bonamour

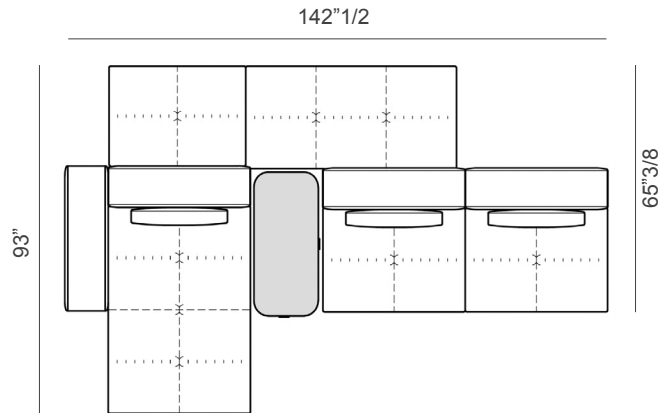
Compositions

Composition D

142"1/2W x 93"D x 33"1/2H

- . 1 x W743 Armrest
- . 1 x F411 Chaise lounge
- . 2 x F416 Center section
- . 1 x W641 Penisola
- . 1 x W640 Penisola

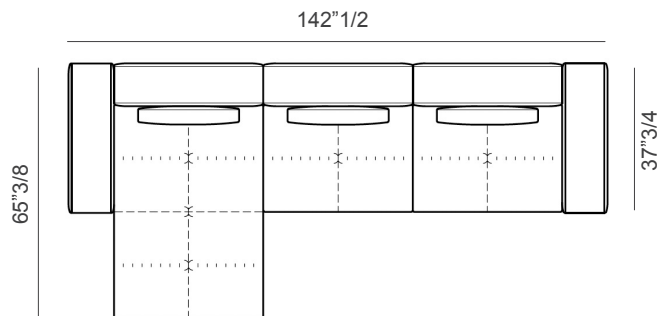
TO BE COMPLETED with
1 x JØMA Optional Paddle - Side table



Composition E

142"1/2W x 65"3/8D x 33"1/2H

- . 2 x W743 Armrest
- . 1 x F411 Chaise longue
- . 2 x F416 Center section

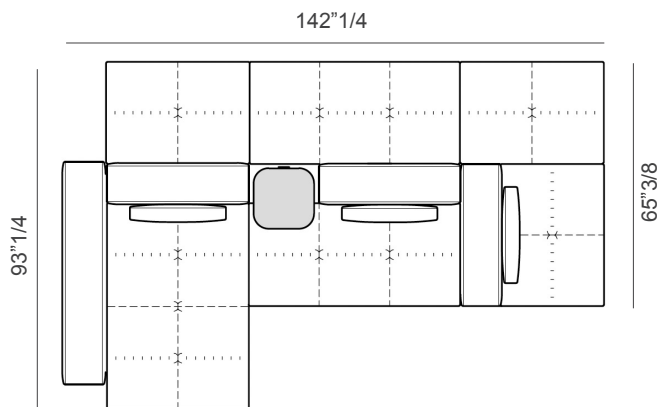


Composition F

143"1/4W x 93"1/4D x 33"1/2H

- 1 x W74Ø Backrest
- 1 x F411 Chaise longue
- 1 x F417 Penisola dx
- 1 x F416 Center section
- 2 x W641 Penisola
- 1 x W64Ø Penisola

TO BE COMPLETED with
1 x JØMB Optional Paddle - Side table



Bonamour

Optional Paddle side tables

1. Upper top / Lower top:
Canaletto walnut veneered wood
Structure: Bronze plus metal

2. Upper top / Lower top:
Coal oak veneered wood
Structure: Lead plus metal

JØMB side table with upper top only

