

Foil

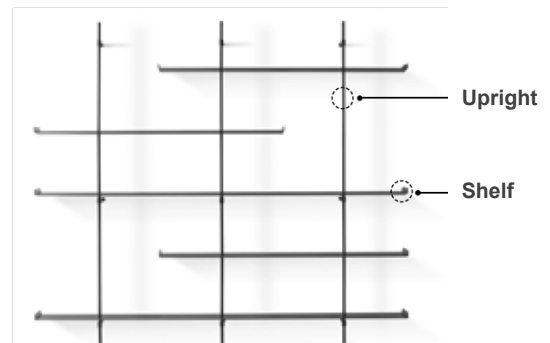
Design: Maurizio e Silvia Varsi



Description

Wall-mounted modular bookcase created with an intersection of painted aluminum shelves* and metal uprights, solid materials that at the same time convey a feeling of lightness which is ideal for perfectly focusing attention on books and objects.
Made in Italy.

*Maximum capacity: 15 kg per shelf
equally distributed weight.



Foil

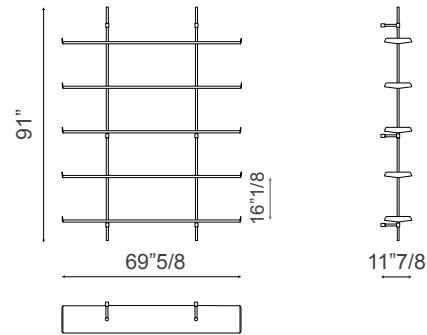
Compositions

Composition 01

69"5/8W x 11"7/8D x 91"H

- . 2 x L642 Upright B
- . 8 x L643 Upright D
- . 2 x L646 Upright F
- . 1 x L65Ø Shelf 177 - kit 2
- . 1 x L66Ø Shelf 177 - kit 3
- . 2 x L647 Bracket

Composition 01

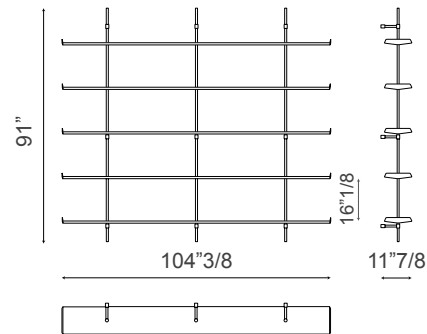


Composition 02

104"3/8W x 11"7/8D x 91"H

- . 3 x L642 Upright B
- . 12 x L643 Upright D
- . 3 x L646 Upright F
- . 1 x L651 Shelf 265 - kit 2
- . 1 x L661 Shelf 265 - kit 3
- . 3 x L647 Bracket

Composition 02

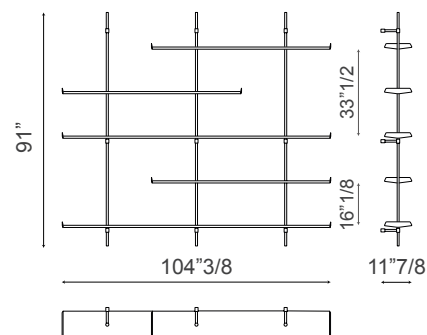


Composition 03

104"3/8W x 11"7/8D x 91"H

- . 3 x L642 Upright B
- . 7 x L643 Upright D
- . 2 x L644 Upright C
- . 1 x L645 Upright E
- . 2 x L646 Upright F
- . 1 x L66Ø Shelf 177 - kit 3
- . 1 x L651 Shelf 265 - kit 2
- . 3 x L647 Bracket

Composition 03



Foil

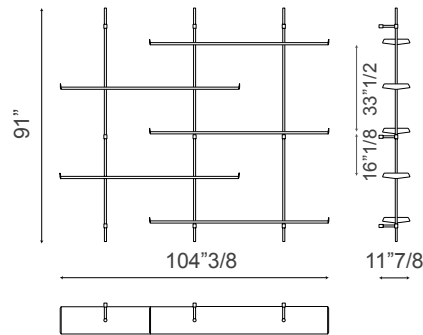
Compositions (cont.)

Composition 04

104"3/8W x 11"7/8D x 91"H

- . 2 x L642 Upright B
- . 4 x L643 Upright D
- . 1 x L648 Upright A
- . 2 x L646 Upright F
- . 1 x L645 Upright E
- . 3 x L644 Upright C
- . 1 x L650 Shelf 177 - kit 2
- . 1 x L660 Shelf 177 - kit 3
- . 3 x L647 Bracket

Composition 04

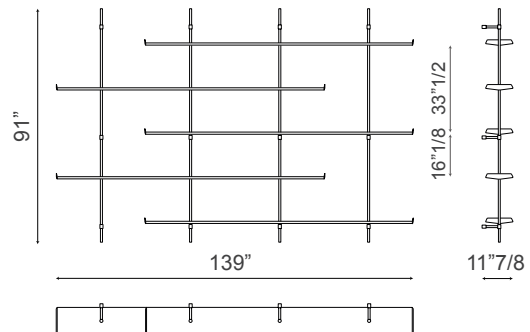


Composition 05

139"W x 11"7/8D x 91"H

- . 3 x L642 Upright B
- . 8 x L643 Upright D
- . 1 x L648 Upright A
- . 3 x L646 Upright F
- . 1 x L645 Upright E
- . 3 x L644 Upright C
- . 1 x L651 Shelf 265 - kit 2
- . 1 x L661 Shelf 265 - kit 3
- . 4 x L647 Bracket

Composition 05

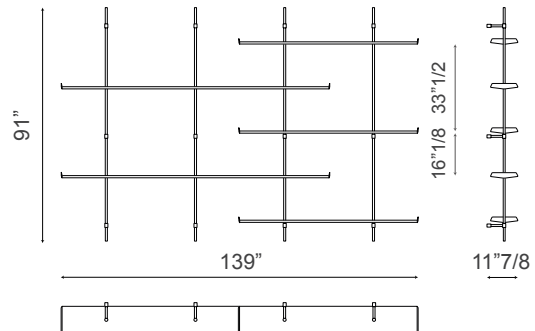


Composition 06

139"W x 11"7/8D x 91"H

- . 2 x L642 Upright B
- . 4 x L643 Upright D
- . 2 x L648 Upright A
- . 2 x L646 Upright F
- . 2 x L645 Upright E
- . 4 x L644 Upright C
- . 1 x L660 Shelf 177 - kit 3
- . 1 x L651 Shelf 265 - kit 2
- . 4 x L647 Bracket

Composition 06



Foil

Elements

A / B - FLOOR UPRIGHT

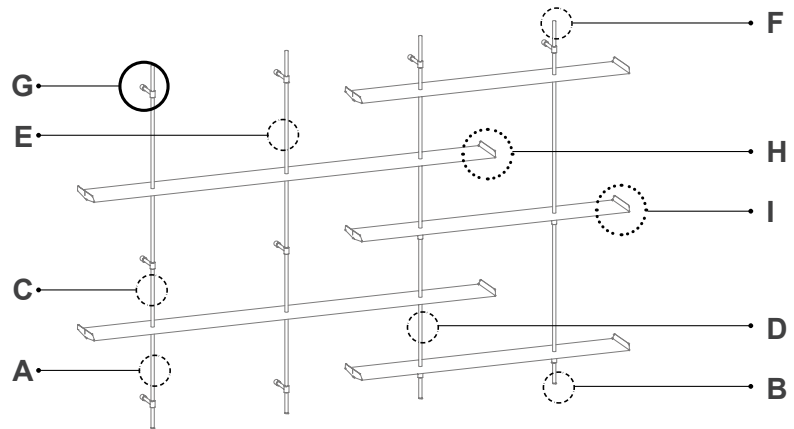
C / D - CENTRE UPRIGHT

E / F - CLOSING UPRIGHT

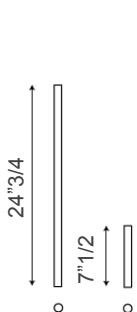
G - WALL FIXING - Bracket

H - SHELF 265

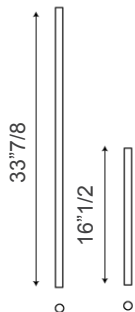
I - SHELF 177



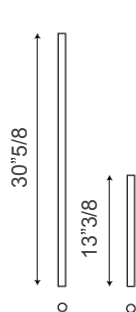
Floor
upright
A/B



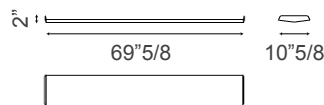
Center
upright
C/D



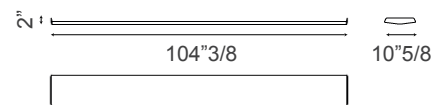
Closing
upright
E/F



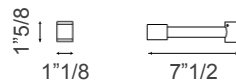
Shelf 177



Shelf 265



Wall mounting bracket



Shelf 177 has two holes.
Elements must be inserted
between two uprights.

Shelf 265 has three holes.
Elements must be inserted
between three uprights.

Each 'upright column' mandatorily
requires the purchase of 3 **wall
mounting brackets**.