

# Maximilian

*Design: Sergio Bicego*



The image corresponds to Composition A (without the ottoman)

## *Description*

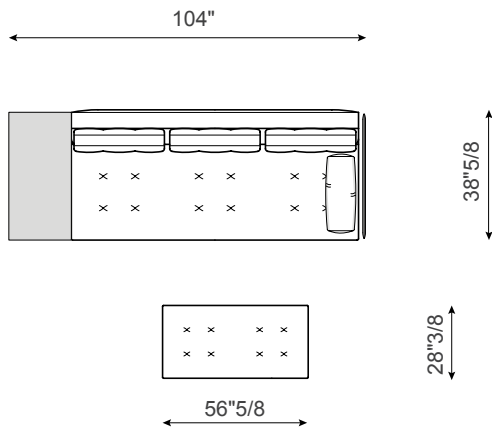
Sectional with structure in wood and wood conglomerate. Seat cushions core of shaped polyurethane foam in various densities and layer of mixed down (50% feather, 50% polyester fiber) in 100% cotton feather-proof fabric. Backrest padded in polyurethane foam in various densities, lining in bonded velveteen and polyester fiber. Back cushions padded with feather blend (50% feather, 50% polyester fiber) in 100% cotton feather-proof fabric.

The modular sofa is supported by a perimeter base and feet made of oval tubing in matt varnished metal. The removable cover is available in a wide range of fabric and leather options. Also, to optimize the individual needs of comfort, decorative cushions are offered upon request. Made in Italy.

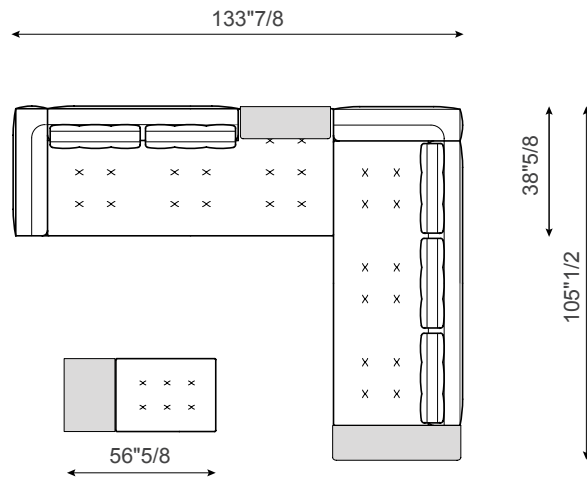
## Maximilian

### Compositions

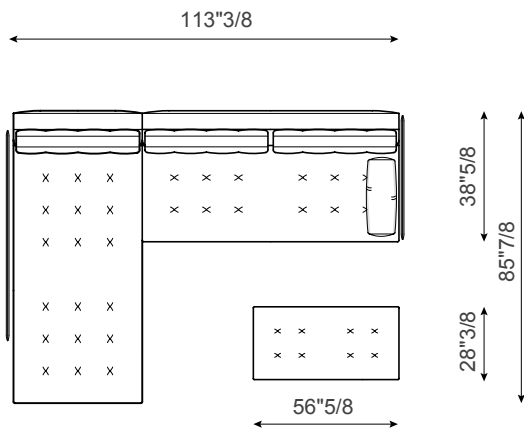
Composition A



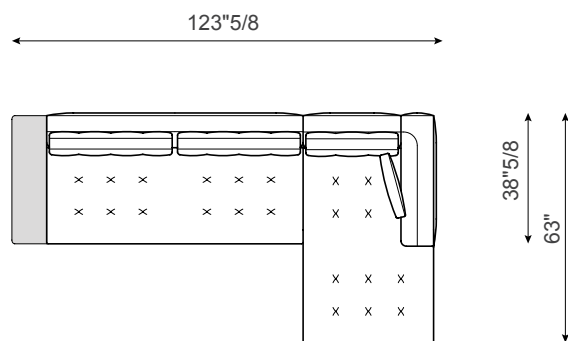
Composition B



Composition C



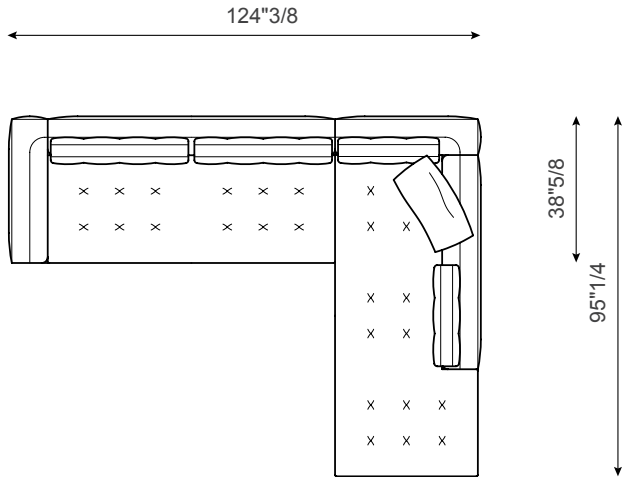
Composition D



## Maximilian

---

Composition E



Composition F

