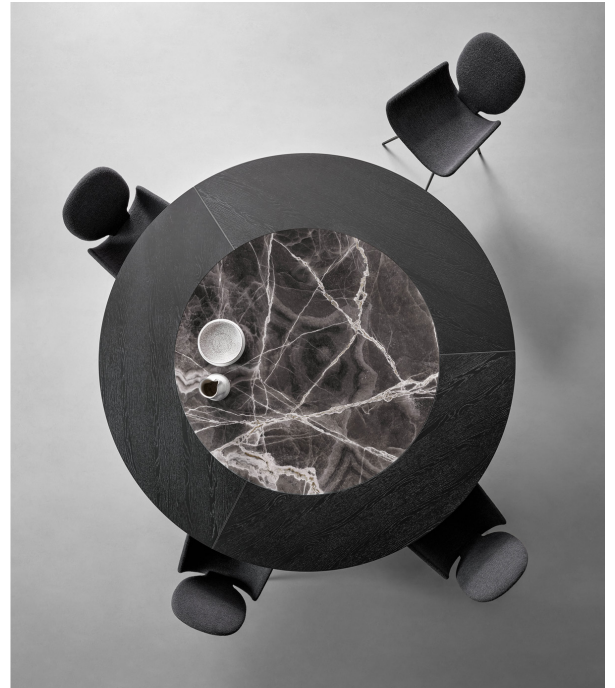


Mellow St

Design: Bartoli design



Description

Table with a large circular top, made using an external section in veneered wood and an internal ceramic rotating section. The base is made of curved elements moulded in high density polyurethane which face outwards. Available in two different combinations. A table with soft curvilinear shapes which are at the same time striking and sculptural. Made in Italy.

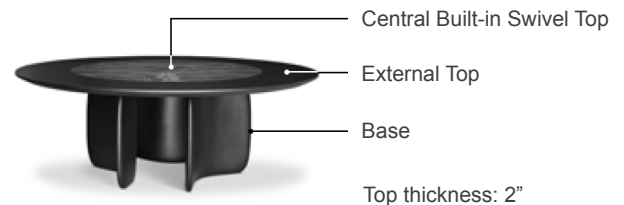
Available combinations:

Combination 1

Central built-in swivel top: Ceramic
External top: Canaletto Walnut veneered wood
Base: Brushed bronze high density polyurethane

Combination 2

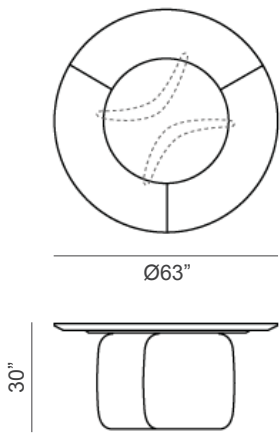
Central built-in swivel top: Ceramic
External top: Brushed Coal oak veneered wood
Base: Brushed lead high density polyurethane



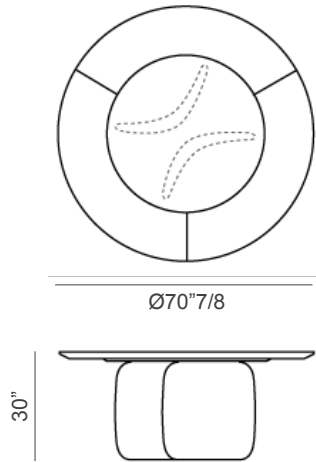
Mellow St

Dimensions

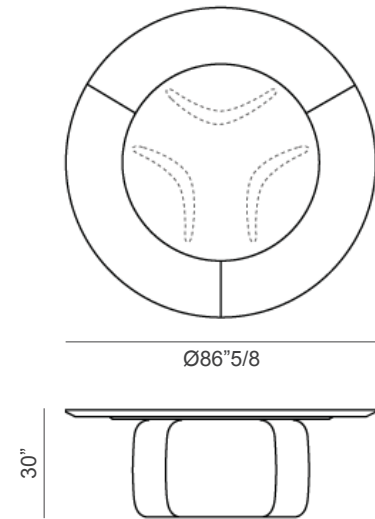
Option A
Ø63" x 30"H



Option B
Ø70"7/8 x 30"H



Option C
Ø86"5/8 x 30"H



Option A
central built-in swivel top



Option B
central built-in swivel top



Option C
central built-in swivel top

