

Pivot St

Design: Marconato & Zappa

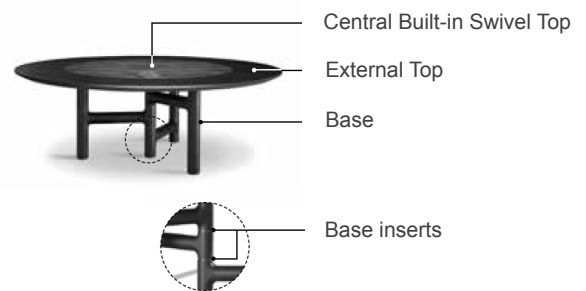


Description

Table with a large round top surface which combines the external veneered wooden top with a central ceramic built-in swivel section.

The Pivot table takes its name from the unusual shape of the base: the central leg acts as a pivot for the three legs which extend to the sides. The result is an asymmetric and highly original combination.

The legs are made of solid wood with metal inserts. Made in Italy.

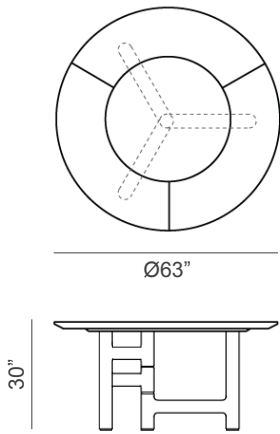


Top thickness: 2"
Total inserts: 6

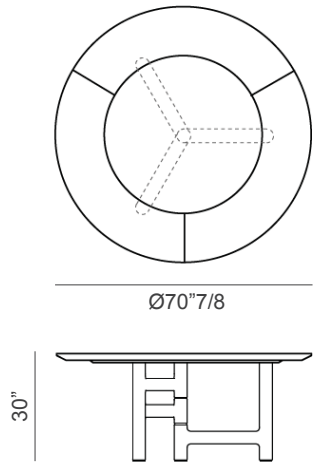
Pivot St

Dimensions

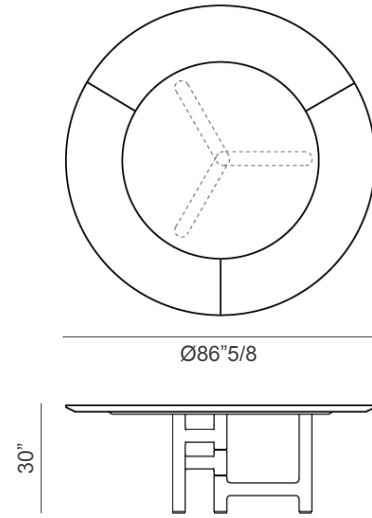
Size A
Ø63" x 30"H



Size B
Ø70"7/8 x 30"H



Size C
Ø86"5/8 x 30"H



Size A
central built-in swivel top



Size B
central built-in swivel top



Size C
central built-in swivel top

