

Kris

Design: Design: Stefano Spessotto & Lorella Agnoletto



Description

Sectional with structure in solid wood panels, plywood, laminated solid fir bearing various thicknesses. The backrest is made of plywood panels. The seat is supported by propylene and latex elastic belts. Padded structure with removable covers in fabric or non removable in eco-leather and leather. Seat and backrest cushions with removable covers in fabric, eco-leather and leather. Standard Bjorg feet. Epoque or UP feet are available as an optional. Elegance quilting on fabric or leather armrests is also available. Made in Italy.



* For more specifications, please refer to the "Finishes & Materials" PDF

Kris

Suggested compositions



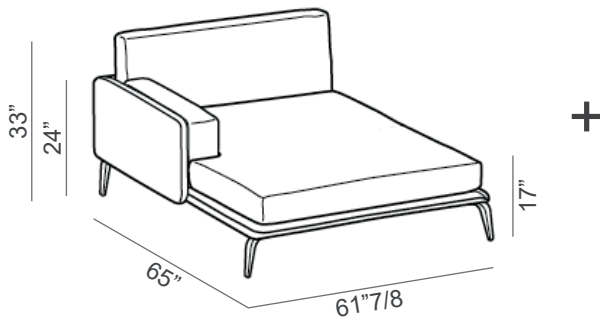
1



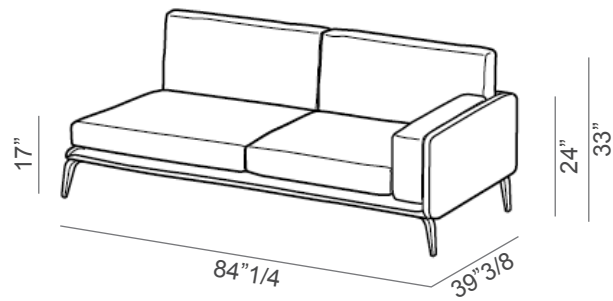
2

Composition 1

129"1/8W x 70"7/8D x 33"H

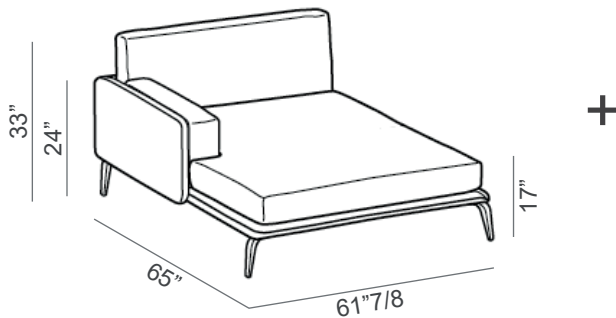


+

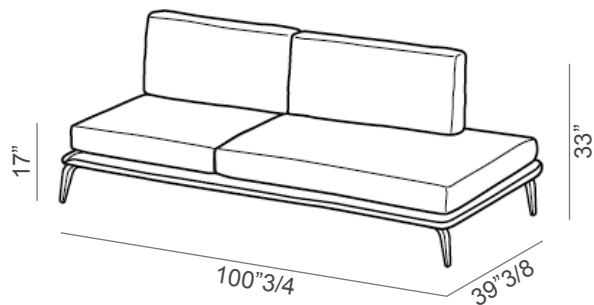


Composition 2

145"5/8W x 70"7/8D x 33"H



+



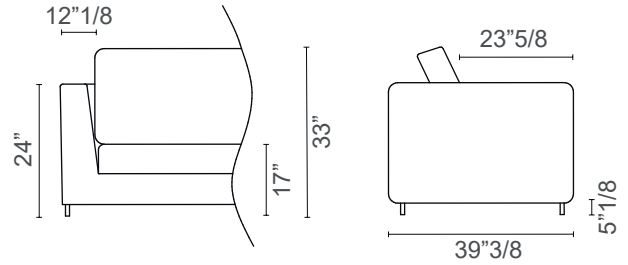
* For more specifications, please refer to the "Finishes & Materials" PDF

Kris

Suggested compositions

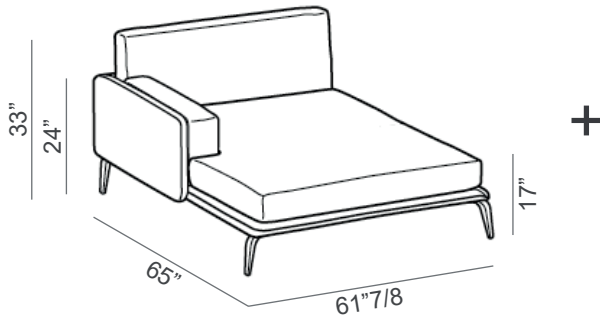


3

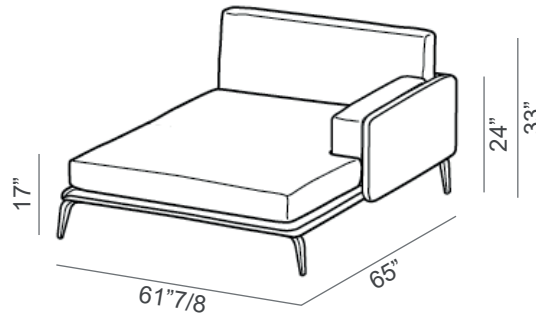


Composition 3

123"5/8W x 65"D x 33"H



+



* For more specifications, please refer to the "Finishes & Materials" PDF

Kris

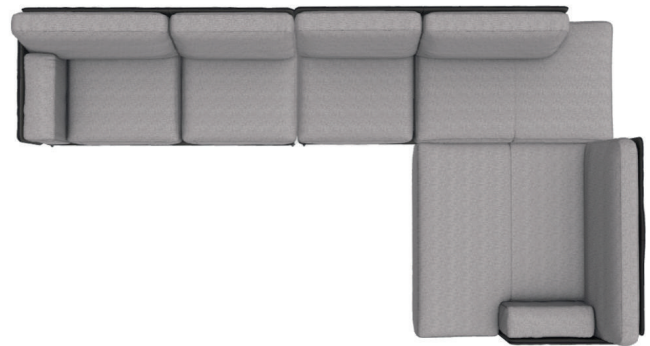
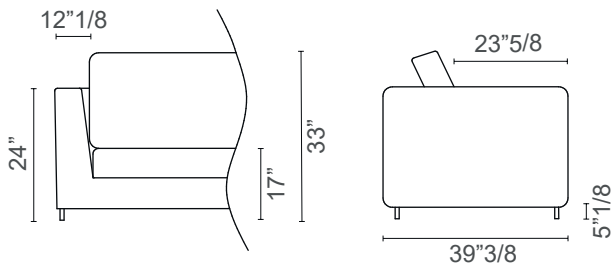
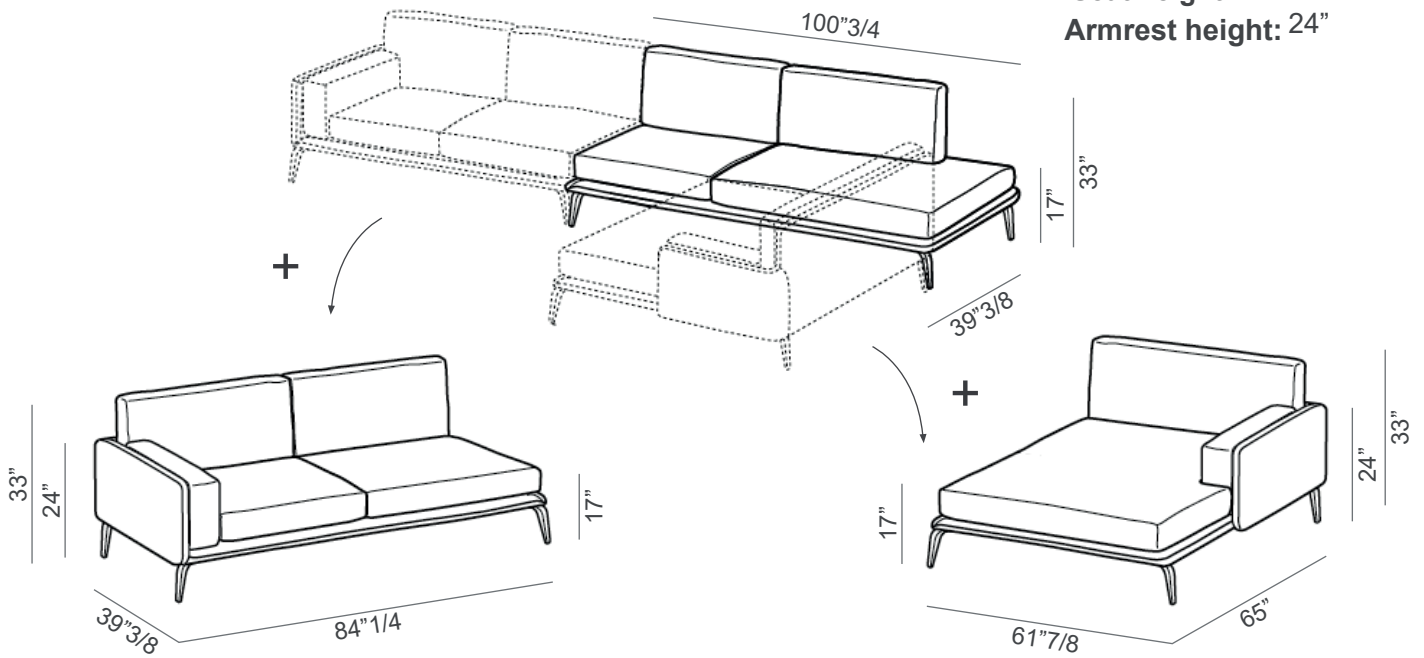
Suggested compositions

Composition 4

185"W x 101"1/8D x 33"H

Seat height: 17"

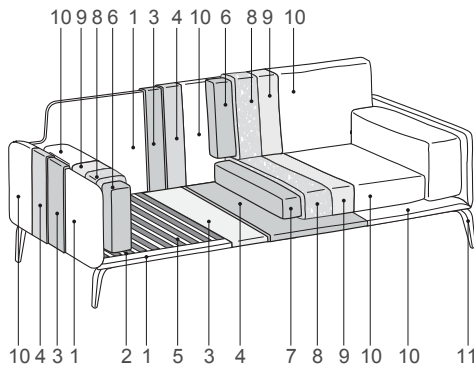
Armrest height: 24"



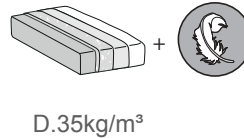
* For more specifications, please refer to the "Finishes & Materials" PDF

Kris

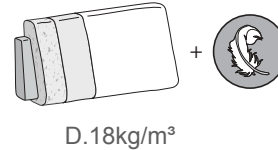
Internal composition



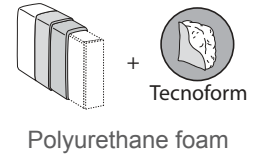
Seat



Backrest



Structure

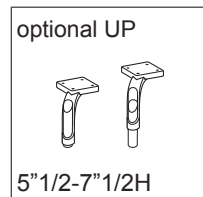
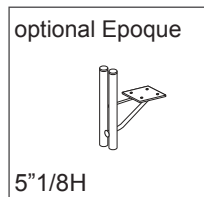
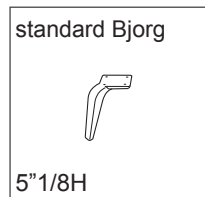


- 1,2. Wooden structure
- 5. Springing
- 3,4,6,7,8,9. Padding
- 10. Upholstery
- 11. Feet

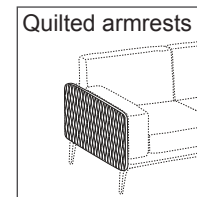


ECOSY padding in recycled polyester fibers is an alternative to down padding. Available on demand without surcharge.

Feet



Optional



Covers



Fabric cushions and structure



Fabric cushions, leather structure



Leather cushions and structure



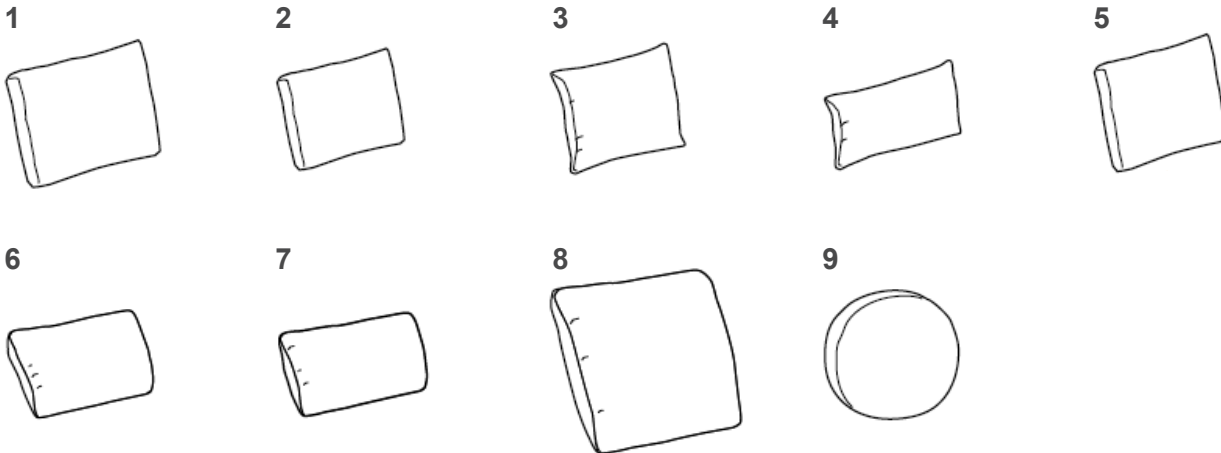
Fabric cushions and leather structure, with quilted armrests

* For more specifications, please refer to the "Finishes & Materials" PDF

Kris

Decorative cushions (feather padding)

- 1: 21"5/8W x 5"7/8D x 21"5/8H
- 2: 17"3/4W x 5"7/8D x 17"3/4H
- 3: 17"3/4W x 5"7/8D x 13"3/4H
- 4: 19"5/8W x 5"7/8D x 19"5/8H
- 5: 17"3/4W x 5"7/8D x 14"1/8H
- 6: 18"7/8W x 5"7/8D x 18"7/8H
- 7: 23"5/8W x 5"7/8D x 11"7/8H
- 8: 23"5/8W x 5"7/8D x 23"5/8H
- 9: Ø19"5/8 x 5"7/8D



* For more specifications, please refer to the "Finishes & Materials" PDF