

San Marino

Design: Presotto Studio



The image corresponds to Composition 5

Description

Sectional with a sturdy yet incredibly comfortable design, available in different compositions. Peltro varnished metal feet and legs support the strong structure. The backrest and cushions, padded with fireproof expanded polyurethane, rest on elastic bands.

Removable cover in fabric and fixed in leather. This system of large, modular seats can come with optional decorative cushions.

Made in Italy.

FEATURES:

Structure: fir wood and poplar plywood with elastic belts.

Leaning top padding: interliner coupled with 1/8" rubber.

Back & Seat cushion padding: polyurethane foam in different densities covered with 250 gr resin-coated polyester fiber interliner.

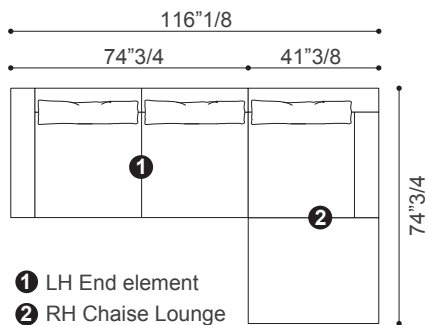
Back cushion padding: internal insert in polyurethane foam covered with top quality goose down divided into compartments: washed, sanitized and sterilized.

San Marino

Compositions

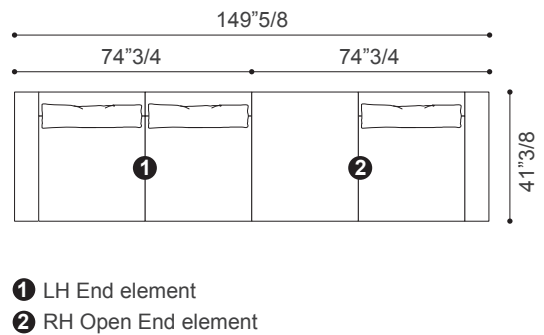
COMPOSITION 1

116"1/8 x 74"3/4D x 29"1/2H
 SH: 15"3/8 | AH: 24"3/4



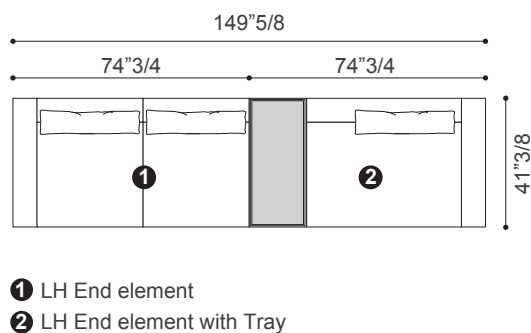
COMPOSITION 2

149"5/8W x 41"3/8D x 29"1/2H
 SH: 15"3/8 | AH: 24"3/4



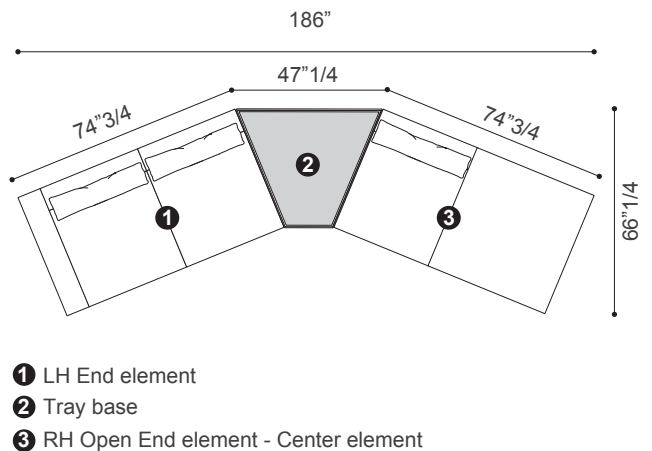
COMPOSITION 3

149"5/8W x 41"3/8D x 29"1/2H
 SH: 15"3/8 | AH: 24"3/4



COMPOSITION 4

186"W x 66"1/4D x 29"1/2H
 SH: 15"3/8 | AH: 24"3/4



San Marino

Other Compositions

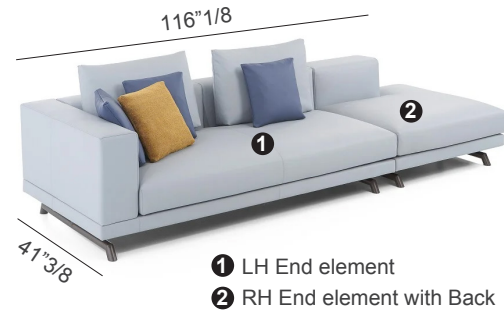
COMPOSITION 5

116"1/8W x 74"3/4D x 29"1/2H
 SH: 15"3/8 | AH: 24"3/4



COMPOSITION 6

116"1/8W x 41"3/8D x 29"1/2H
 SH: 15"3/8 | AH: 24"3/4

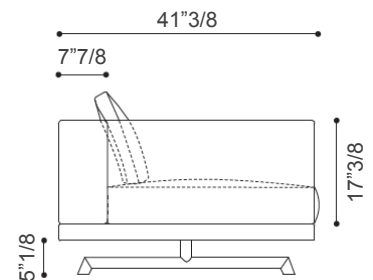


COMPOSITION 7

149"5/8W x 116"1/8D x 29"1/2H
 SH: 15"3/8 | AH: 24"3/4



Detail of measures



Optional decorative cushion: 15"3/4 x 15"3/4
 Optional lumbar support cushion: 21"5/8 x 13"

