

Sanmarino

Design: Presotto Studio



Description

Sofa with a sturdy yet incredibly comfortable design, available in two sizes.

Peltro Varnished Metal feet and legs support the strong structure.

The backrest and cushions, padded with fireproof expanded polyurethane, rest on elastic bands and can be upholstered with fabric, Leather or tecnopelle. Removable cover.

15"3/4 x 15"3/4 decorative cushions offered upon request. Made in Italy.

FEATURES:

Structure: fir wood and poplar plywood with elastic belts.

Leaning top padding: interliner coupled with 1/8" rubber.

Back & Seat cushion padding: polyurethane foam in different densities covered with resin-coated polyester fiber interliner.

Back cushion padding: internal insert in polyurethane foam covered with top quality goose down divided into compartments: washed, sanitized and sterilized.

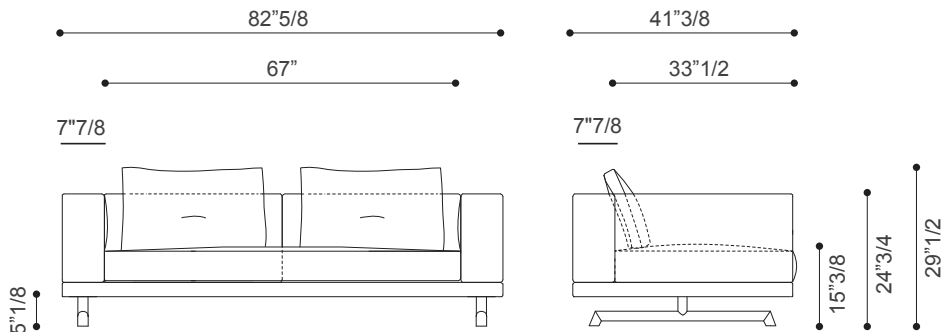
Sanmarino

Dimensions

A) 82"5/8W x 41"3/8D x 29"1/2H

Seat height: 15"3/8

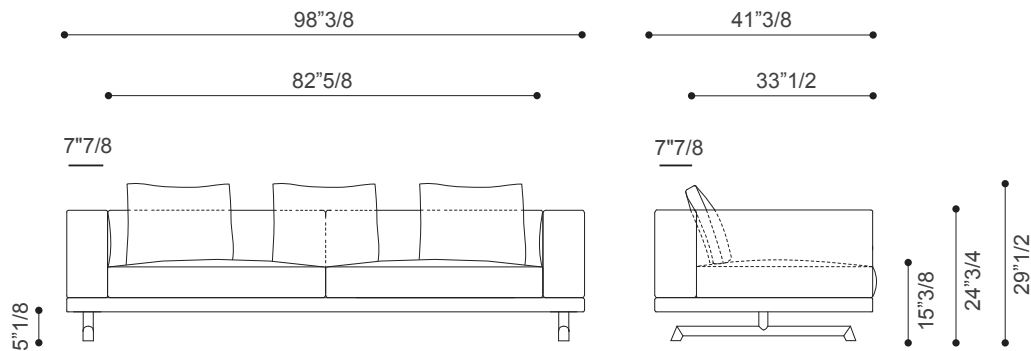
Armrest height: 24"3/4



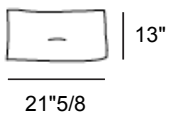
B) 98"3/8W x 41"3/8D x 26"3/4H

Seat height: 15"3/8

Armrest height: 24"3/4



Lumbar Support Cushion: 21"5/8W x 13"H



Decorative Cushion: 15"3/4W x 15"3/4H

