

Bernois

Design: Roberto Paoli



Description

Sideboard available in 2 sizes, both with matt lacquered external structure, pantographed wood doors and a plinth base in plus metal. The main characteristic is the geometric volumes that mark out its doors. The design is based on the perceptive effects generated by a slight raised relief pattern of the doors: a sequence of vertical “folds” that generate an iridescent interplay of chiaroscuro. Made in Italy.

Available combinations:

Combination 1

- . External structure: Bronze matt lacquered wood
- . Doors: Brushed bronze pantographed wood
- . Plinth base: Bronze plus metal

Combination 2

- . External structure: Lead matt lacquered wood
- . Doors: Brushed lead pantographed wood
- . Plinth base: Lead plus metal

Bernois

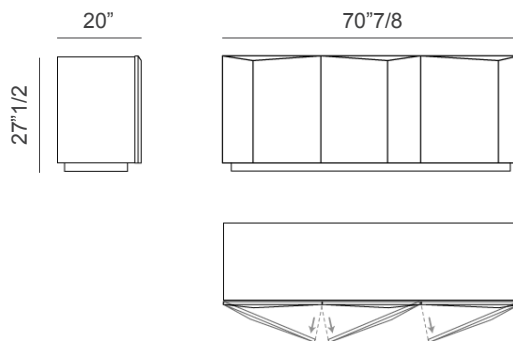
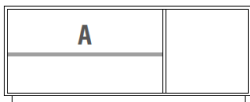
Dimensions

A) 70"7/8W x 20"D x 27"1/2H

Inside shelf:

- . 1 shelf (A)
- . Transparent glass

Max. capacity: 10 kg per shelf



B) 94"1/2W x 20"D x 27"1/2H

Inside shelves:

- . 1 shelf (A) + 2 shelves (B)
- . Transparent glass (A)
- . Dark grey melamine wood (B)

Max. capacity: 10 kg per shelf

