

Torii

Design: Marconato & Zappa



Top thickness: Veneered wood: 1" | Solid wood: 1 1/8" | Ceramic: 5/8" | Marble: 3/4"

Torii

Description

Fixed table with imposing shapes and strong balance. The base is composed of two slightly inclined metal elements with decorative inserts in the same finish as the base or in ceramic*. The design is completed by the rigorous top which is available in veneered or solid wood, ceramic or marble. Made in Italy.

*Same finish as the top, only available for tables with ceramic top.

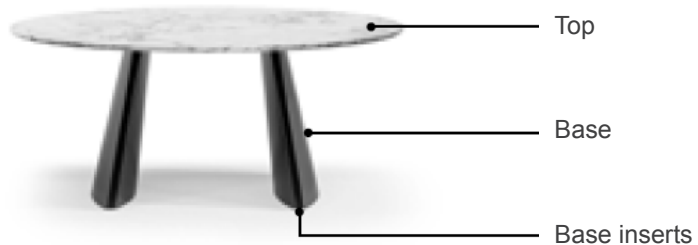
Rectangular top



Shaped top



Round top



Torii

Dimensions - Rectangular top

A) 63"W x 35"3/8D x 29"1/2H

B) 70"7/8W x 35"3/8D x 29"1/2H

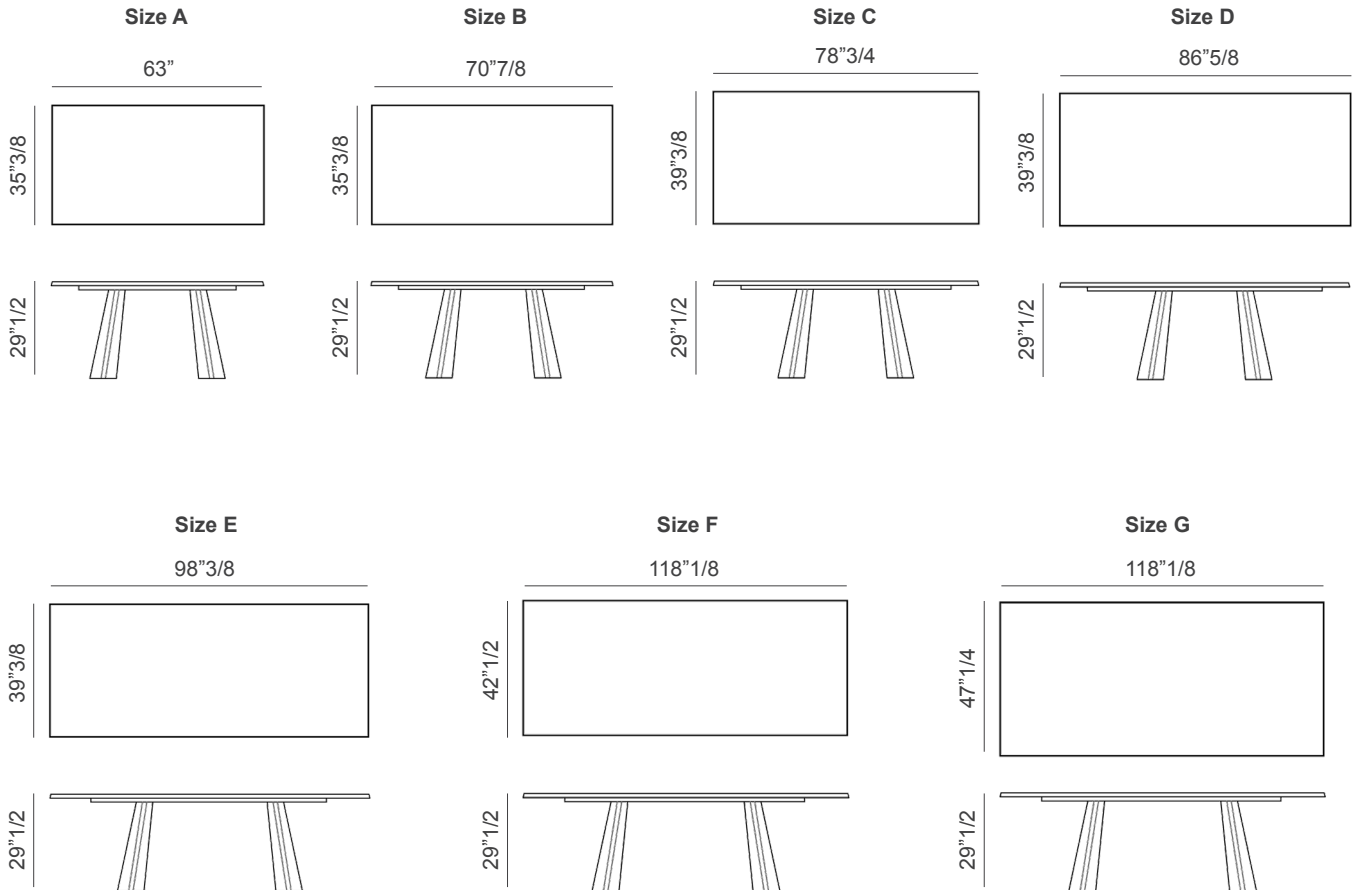
C) 78"3/4W x 39"3/8D x 29"1/2H

D) 86"5/8W x 39"3/8D x 29"1/2H

E) 98"3/8W x 39"3/8D x 29"1/2H

F) 118"1/8W x 42"1/2D x 29"1/2H

G) 118"1/8W x 47"1/4D x 29"1/2H



Torii

Dimensions - Shaped top

H) 70"7/8W x 39"3/8D x 29"1/2H

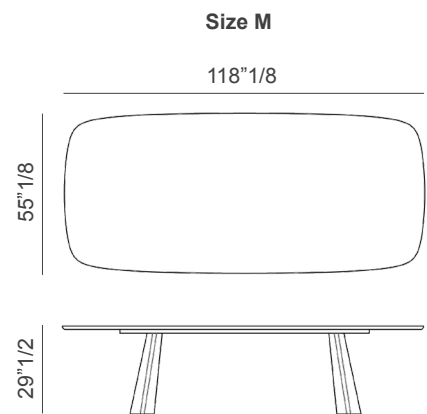
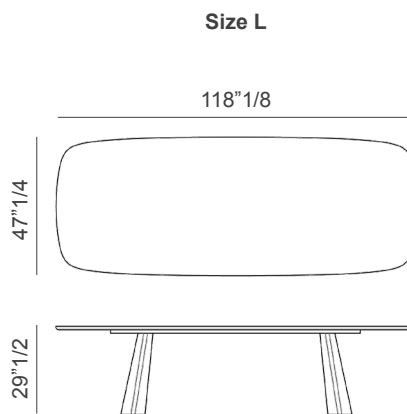
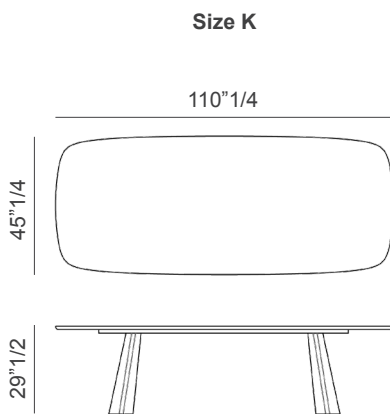
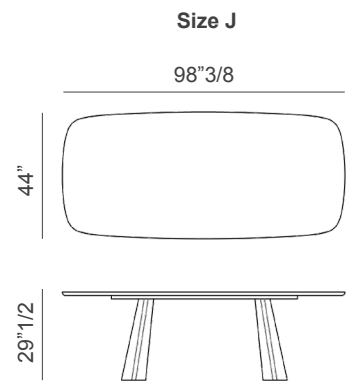
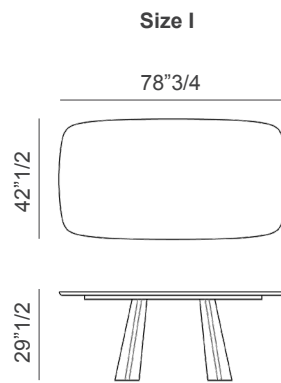
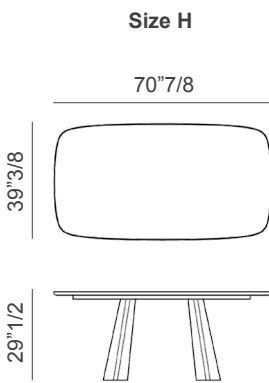
I) 78"3/4W x 42"1/2D x 29"1/2H

J) 98"3/8W x 44"D x 29"1/2H

K) 110"1/4W x 45"1/4D x 29"1/2H

L) 118"1/8W x 47"1/4D x 29"1/2H

M) 118"1/8W x 55"1/8D x 29"1/2H



Torii

Dimensions - Round top

N) $\text{Ø}47\frac{1}{4}$ x $\sim 29\frac{1}{2}$ H
O) $\text{Ø}55\frac{1}{8}$ x $\sim 29\frac{1}{2}$ H

P) $\text{Ø}63$ x $\sim 29\frac{1}{2}$ H
Q) $\text{Ø}70\frac{7}{8}$ x $\sim 29\frac{1}{2}$ H

