

Katana Magnum

Design: Giorgio Cattelan



Description

Suspension lamp with a disruptive look. Despite its unique shape, it is a delicate and minimal decoration. This lamp is divided into UP and DOWN versions, depending on the direction in which the arc is facing. Frame and canopy or socket, come in titanium embossed lacquered steel. LED lights.
Optional: remote control and receiver.
Made in Italy.

Light source:

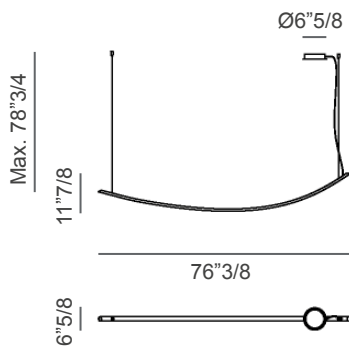
1 LED 18W • 2200lm • 3000K

Katana Magnum

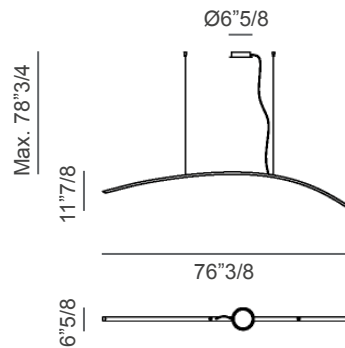
Dimensions

- 2 UP:** 76"3/8W x 6"5/8D x 11"7/8H + 78"3/4 Max H of Tensors and Caony
- 2 DOWN:** 76"3/8W x 6"5/8D x 11"7/8H + 78"3/4 Max H of Tensors and Caony
- L2 UP:** 76"3/8W x 1"5/8D x 11"7/8H + 78"3/4 Max H of Tensors and Socket
- L2 DOWN:** 76"3/8W x 1"5/8D x 11"7/8H + 78"3/4 Max H of Tensors and Socket

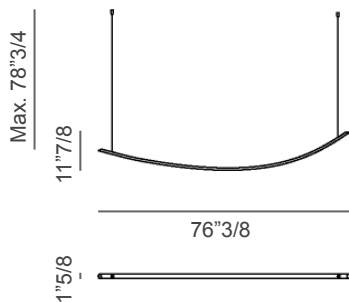
2 UP



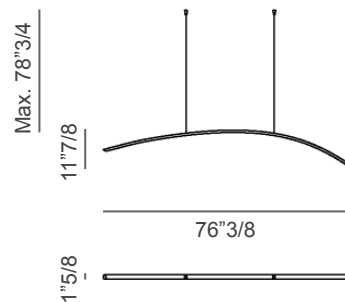
2 DOWN



L2 UP



L2 DOWN



SOCKET 2/3

